



Features

- Designed for use with remote-cooled GEM and Flake ice machines that produce from 582 lbs (264 kg) to 1054 lbs (478 kg) of ice per day.
- Environmentally responsible – all GRC model condensers use R404A, an approved non-ozone depleting refrigerant.
- Constructed from sturdy, corrosion-resistant galvanized steel. Reduces air conditioning requirements and cost.
- Fan is located away from the ice maker ensuring quiet operation for customers.

Options & Accessories

Model Number	Description	Shipping Weight lbs (kg)
RT-325-4O4	25 ft (7.6 m) Precharged Tubing Kit for R4O4A Models	13 (6)
RT-340-4O4	40 ft (12.0 m) Precharged Tubing Kit for R4O4A Models	18 (8)
RT-345-4O4	60 ft (18.2 m) Precharged Tubing Kit for R4O4A Models	19 (9)
RT-360-4O4	75 ft (22.9 m) Precharged Tubing Kit for R4O4A Models	26 (12)
RT-375-4O4	75 ft (22.9 m) Precharged Tubing Kit for R4O4A Models	35 (16)

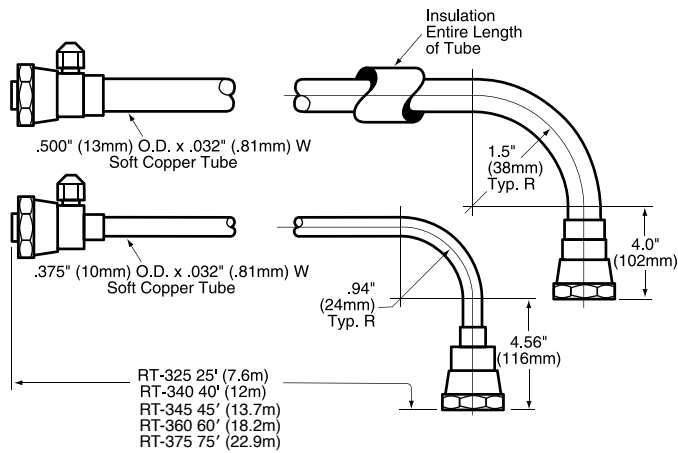
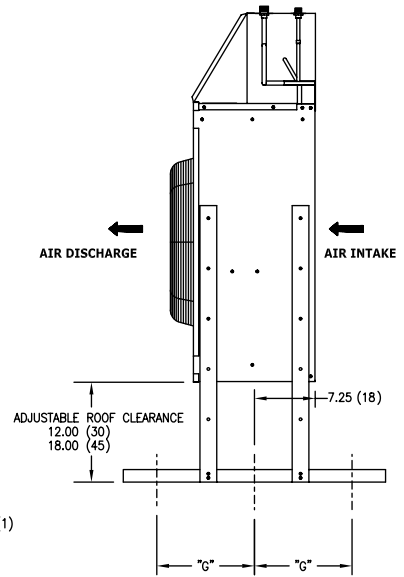
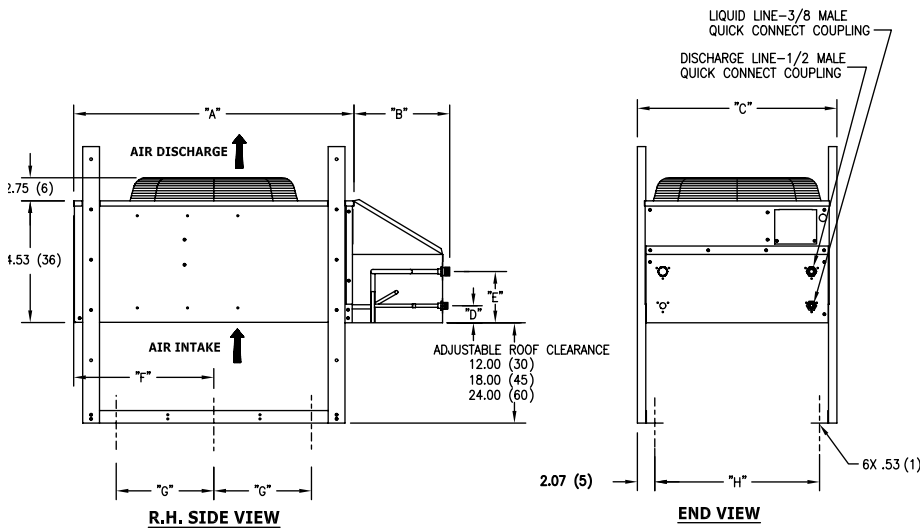
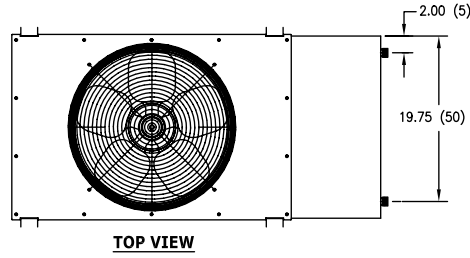
(Note: Specify length when ordering)

Specifications

Model Number	Description	Voltage Characteristics	Dimensions: W x D x H	Shipping Weight lbs (kg)
GRC-1001	Remote Condenser for models GEMO650, MF10800	115/60/1	in.: 45 x 22 ¹ / ₈ x 29 ¹ / ₂ mm: 1143 x 562 x 749	122 (55)
GRC-1061	Remote Condenser for models GEMO956, MF11256	208-230/50-60/1	in.: 45 x 22 ¹ / ₈ x 29 ¹ / ₂ mm: 1143 x 562 x 749	124 (56)



GRC REMOTE CONDENSERS



NOTES:
Number of Wires: 3 (including ground)
Refrigerant Type: R404A