

Ice-O-Matic[®]

SERVICE PARTS MANUAL
The EF Series Flaker
MODEL-EF250, EF450, EF800



EF Series Flaker Service Parts

This parts list contains the service parts available for the EF Series Flaker icemakers.

EF250

EF450

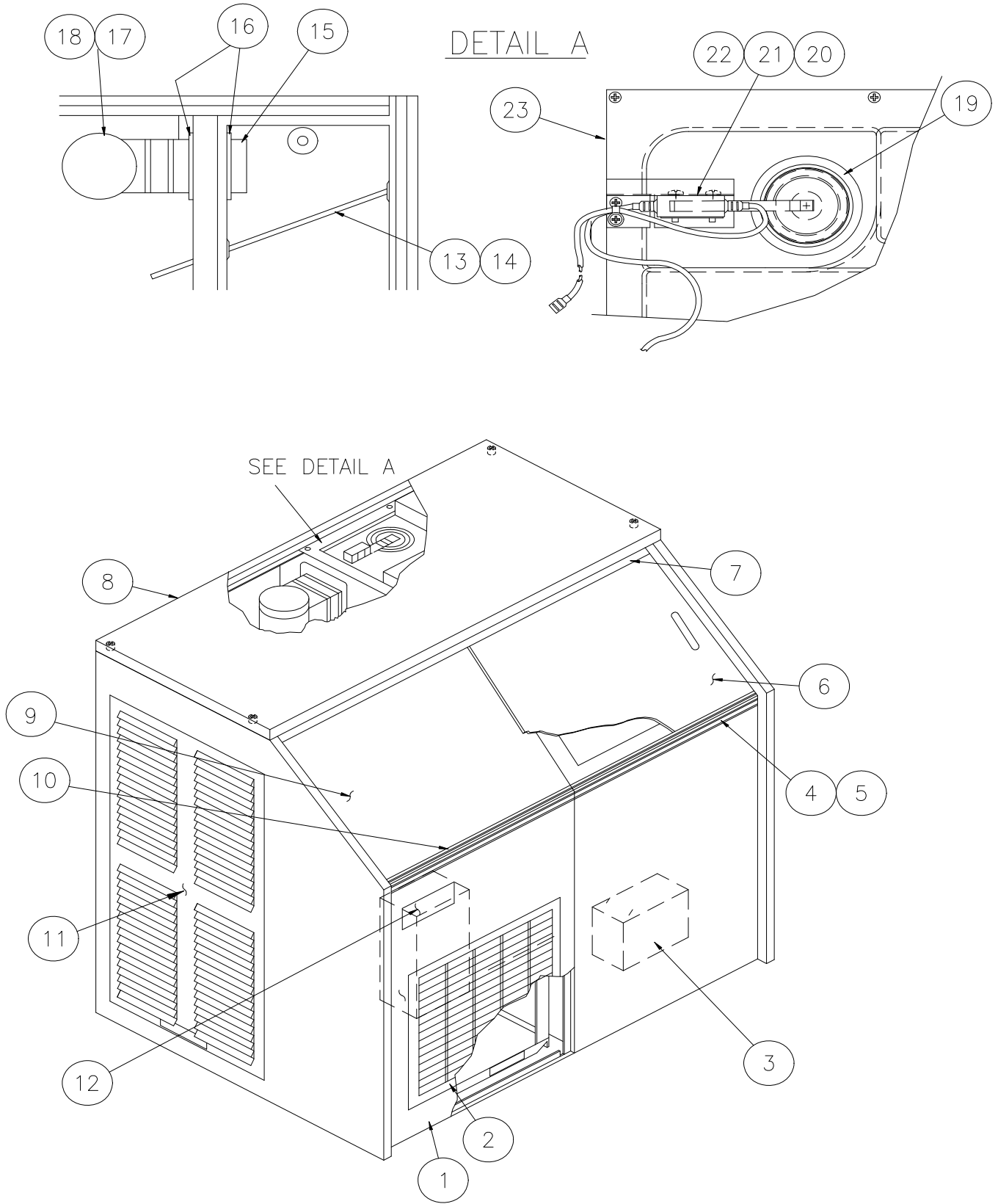
EF800

Check the model number on the data plate and refer to the correct listing for the specific component.

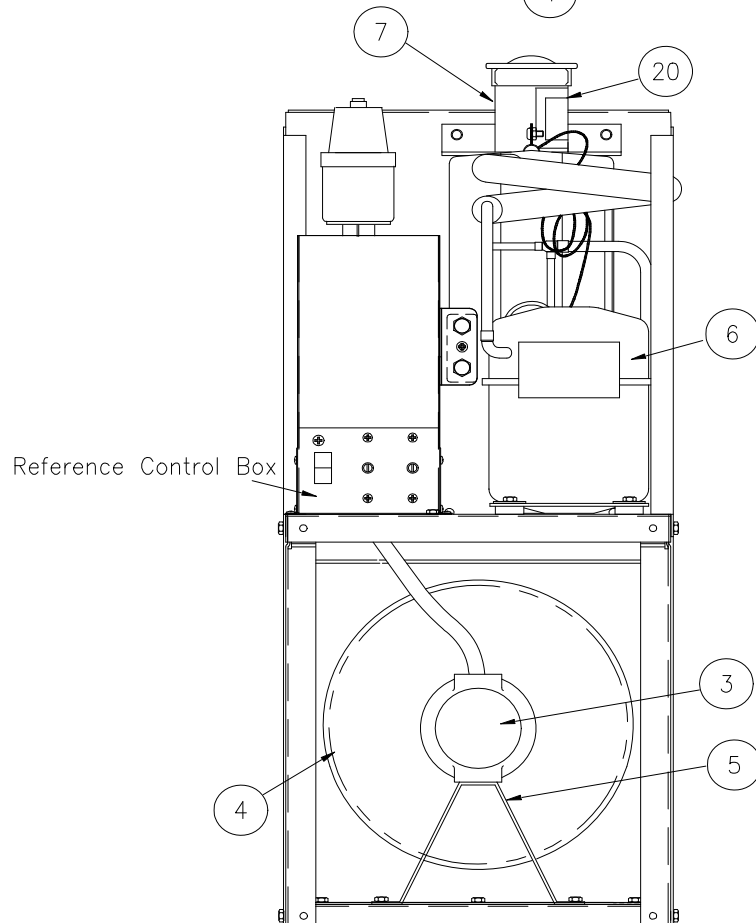
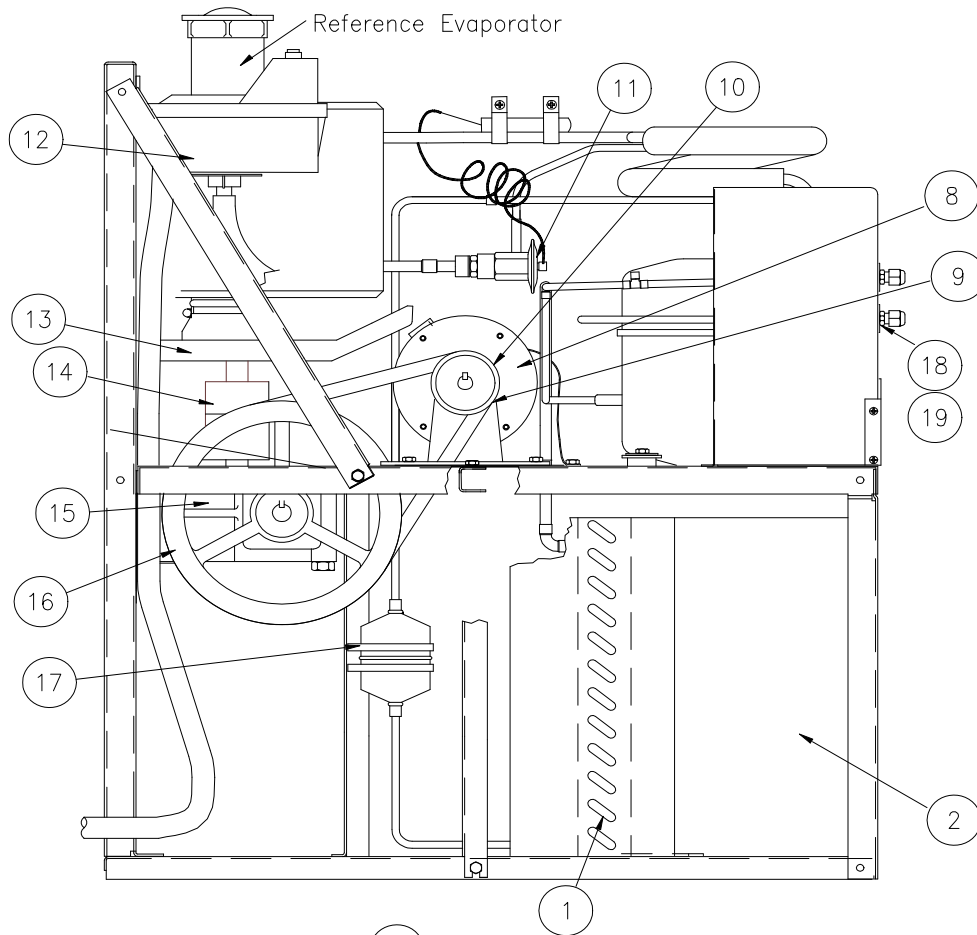
Check carefully that the correct part is identified and ordered.

Table of Contents	Page 1
Cabinet	Page 2 - 3
Refrigeration System	Page 4 - 5
Evaporator	Page 6 - 7
Control Box	Page 8

Ice-O-Matic
11100 East 45th Ave.
Denver Co. 80239
800-423-3367



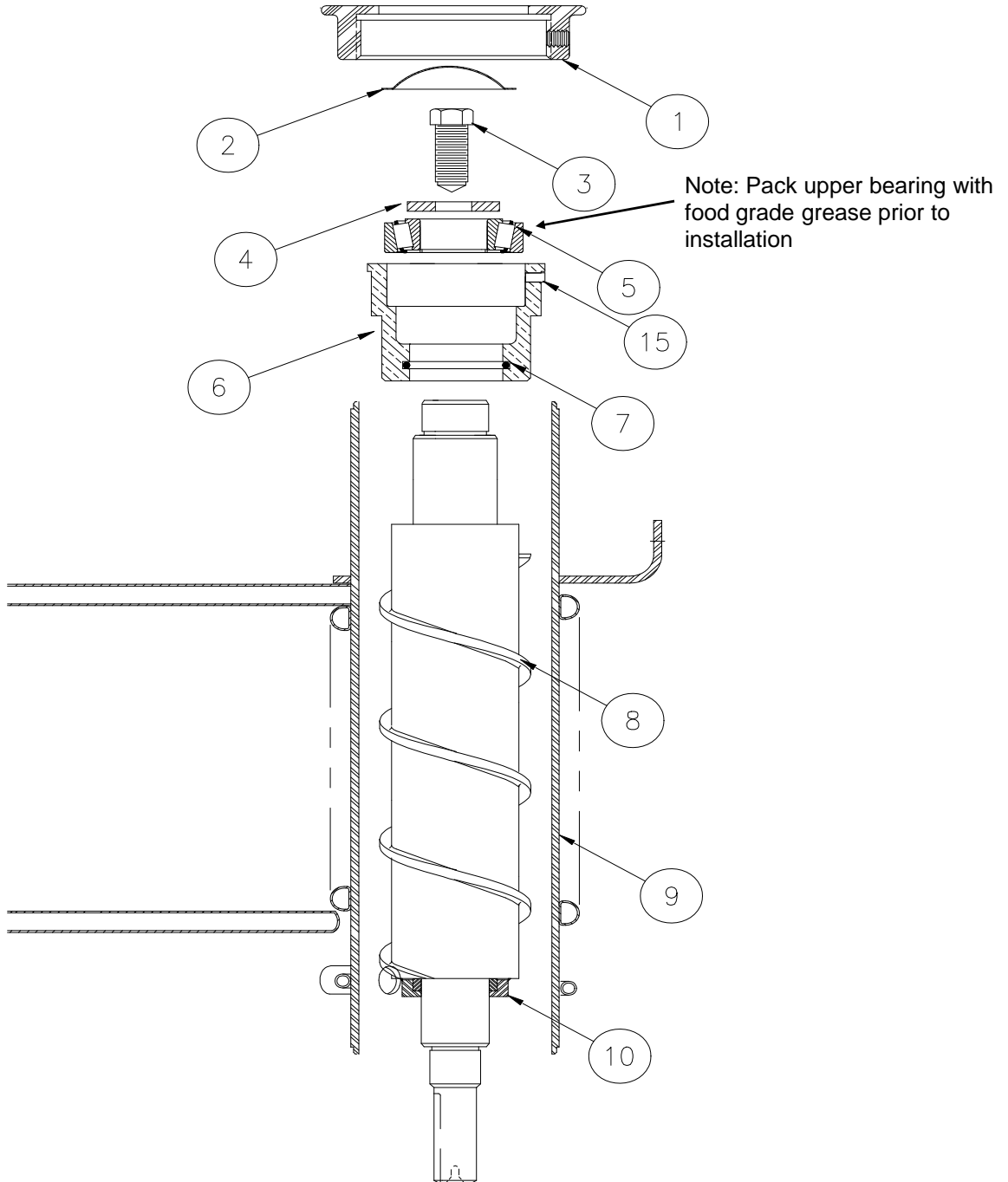
Item	EF250	EF450	EF800	Description
1	2031474-01	2031474-01	2031474-01	Left Hand Front Panel Assembly
2	9051464-01	9051464-01	9051464-01	Louver Panel (Included in 2031474-01)
	9031133-02	9031133-02	9031133-02	Push Nut (Secures Louver Panel)
3	9021002-04	9021002-04	9021002-04	Leg Set (4 Legs)
4	9061034-01	9061034-01	9061034-01	Bottom R/H Door Frame Ext. 32" Cabinet
4	9061035-01	9061035-01	9061035-01	Bottom R/H Door Frame Ext. 38" Cabinet
4	9061036-01	9061036-01	9061036-01	Bottom R/H Door Frame Ext. 48" Cabinet
5	6061001-01	6061001-01	6061001-01	Decorative Trim 32" Cabinet-30.5 Inches
5	6061001-01	6061001-01	6061001-01	Decorative Trim 38" Cabinet-36.5 Inches
5	6061001-01	6061001-01	6061001-01	Decorative Trim 48" Cabinet-46.5 Inches
6	9051093-01	9051093-01	9051093-01	Door Panel 32" Cabinet
6	9051093-03	9051093-03	9051093-03	Door Panel 38" Cabinet
6	9051093-07	9051093-07	9051093-07	Door Panel 48" Cabinet
7	9061029-01	9061029-01	9061029-01	Top Door Frame Extrusion 32" Cabinet
7	9061027-01	9061027-01	9061027-01	Top Door Frame Extrusion 38" Cabinet
7	9061028-01	9061028-01	9061028-01	Top Door Frame Extrusion 48" Cabinet
8	3021252-02	3021252-02	3021252-02	Top Panel 32" Cabinet
8	3021230-02	3021230-02	3021230-02	Top Panel 38" Cabinet
8	3021272-02	3021272-02	3021272-02	Top Panel 48" Cabinet
9	3021232-02	3021232-02	3021232-02	Top L/H Front Panel
10	9061033-01	9061033-01	9061033-01	Bottom L/H Door Frame Ext.
11	3021359-02	3021359-02	3021359-02	Left Hand Access Panel
12	3011795-01	3011795-01	3011795-01	Control Box Cover
13	3031209-02	3031209-02	3031209-02	Bin Control Rod 32" Cabinet
13	3031209-03	3031209-03	3031209-03	Bin Control Rod 38" Cabinet
13	3031209-04	3031209-04	3031209-04	Bin Control Rod 48" Cabinet
14	9051002-10	9051002-10	9051002-10	Rubber Grommet
15	2021164-01	2021164-01	2021164-01	Ice Chute
16	9051239-01	9051239-01	9051239-01	Ice Chute Grommet
17	2991006-01	2991006-01	2991006-01	Legionaire Cap (Insulation)
18	9051011-01	9051011-01	9051011-01	Evaporator Gasket (Chute Gasket)
19	9051206-01	9051206-01	9051206-01	Diaphragm (Secondary Bin Switch)
20	9101338-01	9101338-01	9101338-01	Secondary Bin Switch
21	9031011-01	9031011-01	9031011-01	Twin Speed Nut
22	9031008-29	9031008-29	9031008-29	Machine Screw 6-32 x 7/8
23	9051322-01	9051322-01	9051322-01	Bin Liner Cover 32" Cabinet
23	9051323-01	9051323-01	9051323-01	Bin Liner Cover 38" Cabinet
23	9051324-01	9051324-01	9051324-01	Bin Liner Cover 48" Cabinet



Item	EF250	EF450	EF800	Description
1	9141054-01	9141002-01	9141125-01	Air Condenser
2	2021476-01	2021476-01	3013166-01	Fan Shroud
3	9161112-01	9161112-01	9161112-01	Fan Motor (Replaces 9161045-01)
4	9131133-02	9131133-02	9131384-08	Fan Blade
5	9131054-01	9131054-01	9131054-01	Fan Motor Bracket
6	9181098-11	9181095-11	9181086-11	Compressor
7	2051172-91	2051172-91	2051172-91	Evaporator Assembly
8	9161093-01	9161093-01	9161093-01	Auger Motor
9	9111001-01	9111001-01	9111001-11	V-Belt
10	9111002-29	9111002-29	9111002-05	Auger Motor Pulley
	9021028-01	9021028-01	9021028-01	Auger Motor Pulley Key
11	9151006-09	9151006-09	9151134-09	Expansion Valve
12	9131032-01	9131032-01	9131032-01	Float (Includes Float and Reservoir)
13	9051007-01	9051007-01	9051007-01	Drip Boot
14	2081012-02	2081012-02	2081012-02	Coupling Assembly (5/8 x 3/4)
	9021028-01	9021028-01	9021028-01	Auger or Gear Reducer Output Key
	9111012-91	9111012-91	9111012-91	Upper Coupler Half (5/8)
	9111004-91	9111004-91	9111004-91	Spyder
	9111004-92	9111004-92	9111004-92	Lower Coupler Half (3/4)
15	9171010-04	9171010-04	9171010-04	Gear Reducer
16	9111002-08	9111002-08	9111002-26	Gear Reducer Pulley
	9021028-02	9021028-02	9021028-02	Gear Reducer Pulley Key
17	9151163-01	9151163-01	9151163-01	Drier (Replaces 9151004-02)
18	9091086-02	9091086-02	9091086-02	Service Valve Core
19	9091086-03	9091086-03	9091086-03	Service Valve Cap
20	9051011-01	9051011-01	9051011-01	Evaporator Gasket (Chute Gasket)

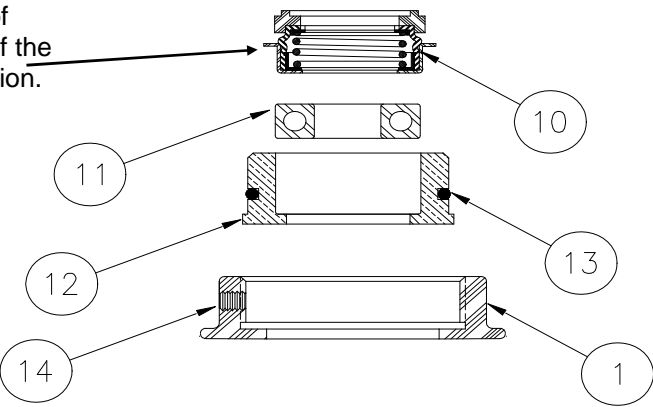
Compressor Components

EF250	EF450	EF800	Description
9181098-11	9181095-11	9181086-11	Compressor
9181004-25	9181004-22	9181010-14	Compressor Relay
9181005-34	9181005-31	9181005-12	Overload
N/A	N/A	N/A	Run Capacitor
9181003-38	9181003-03	9181003-17	Start Capacitor



Note: Pack upper bearing with food grade grease prior to installation

Note: Apply a small bead of silicone on the underside of the seal flange prior to installation.



Item	EF250	EF450	EF800	Description
1	9131207-01	9131207-01	9131207-01	Nut-Retaining
2	3011011-01	3011011-01	3011011-01	Evaporator Cap
3	9031001-01	9031001-01	9031001-01	Hex Bolt 1/2-20 x 1"
4	9031004-09	9031004-09	9031004-09	Washer
5	9121039-02	9121039-02	9121039-02	Upper Bearing
6	9131219-01	9131219-01	9131219-01	Upper Bearing Housing
7	9131009-03	9131009-03	9131009-03	O-Ring-Upper
8	9131012-01	9131012-01	9131012-01	Auger
9	2051172-91	2051172-91	2051172-91	Evaporator Assembly (Complete)
	2051171-91	2051171-91	2051171-91	Evaporator Barrel Only (No Internal Components)
10	9121026-01	9121026-01	9121026-01	Seal (Includes Upper and Lower)
11	9121001-06	9121001-06	9121001-06	Lower Bearing
12	9131220-01	9131220-01	9131220-01	Lower Bearing Housing
13	9131009-08	9131009-08	9131009-08	O-Ring-Lower
14	9031033-03	9031033-03	9031033-03	Set Screw 1/4-20
15	9131010-01	9131010-01	9131010-01	Locating Pin

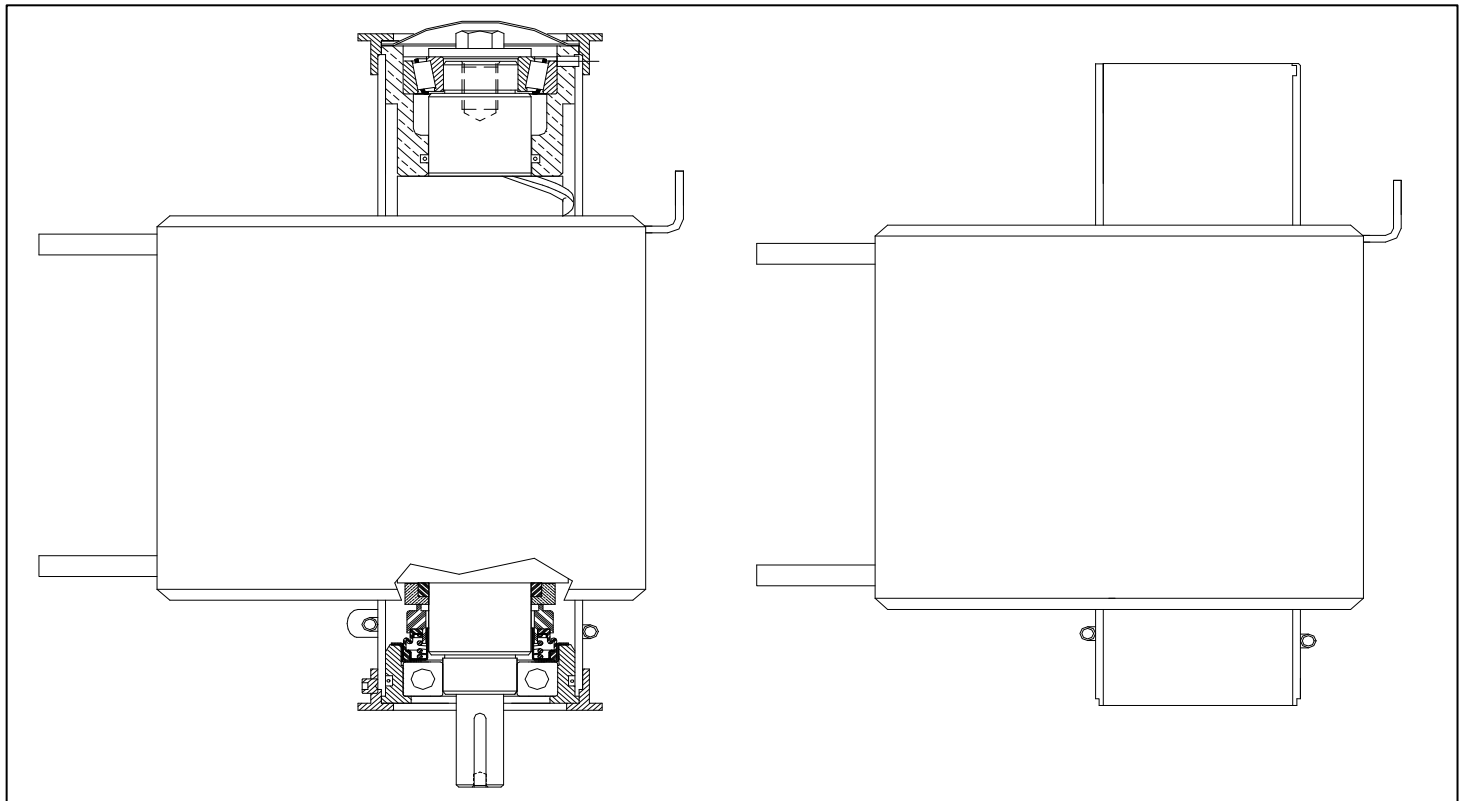
Note: The Evaporator Assembly includes all internal components.

Upper Bearing, Housing and O-Ring

Auger and Seal

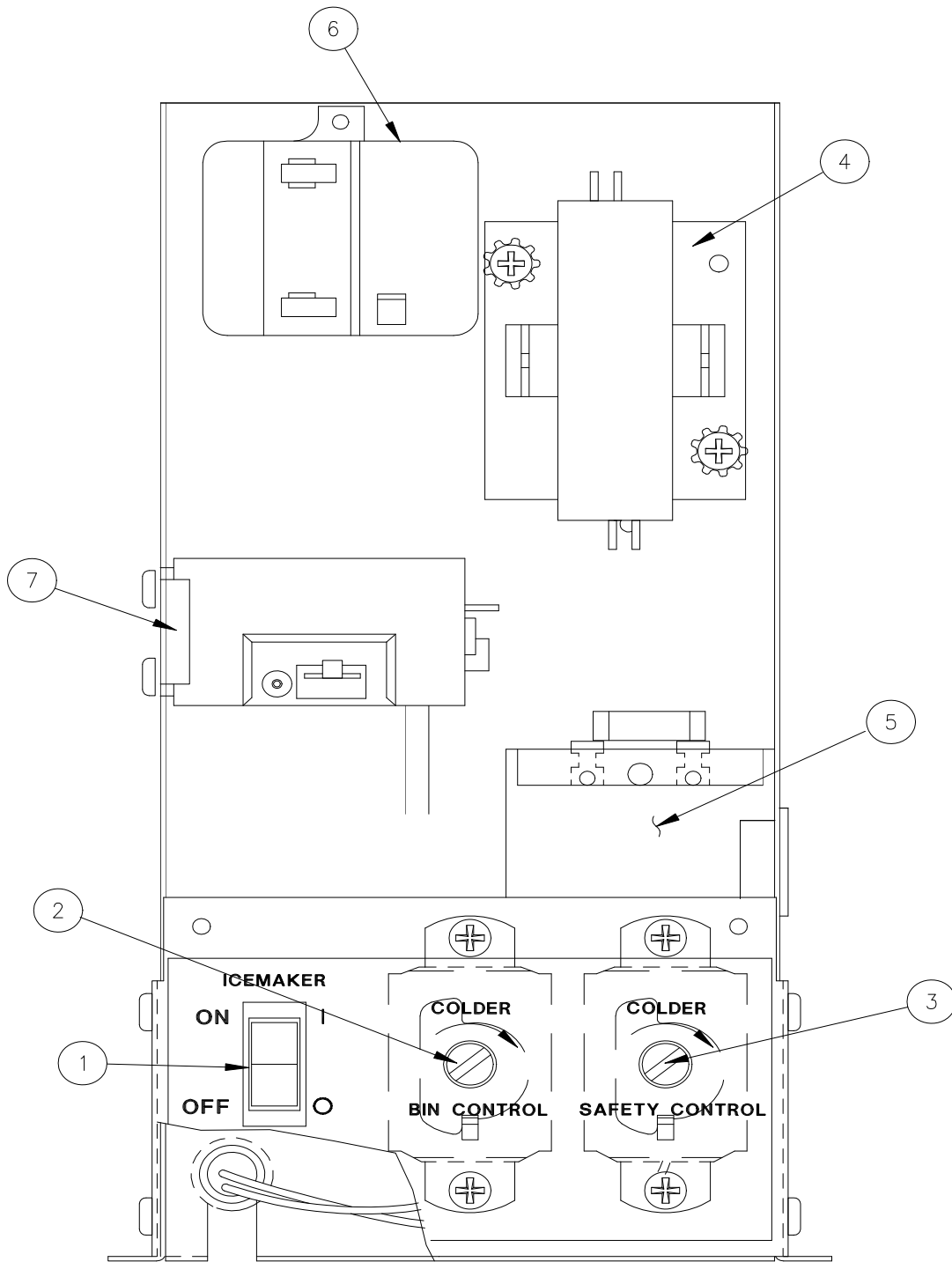
Lower Bearing, Housing, Water Seal and O-Ring

Retaining Nuts



Evaporator Assembly

Evaporator Barrel Only



Item	EF250	EF450	EF800	Description
1	9101139-04	9101139-04	9101139-04	Rocker Switch (On-Off)
2	9041004-02	9041004-02	9041004-02	Bin Control Thermostat
3	9041002-01	9041002-01	9041002-01	Low Temp Safety Thermostat
4	9101002-03	9101002-03	9101002-03	Contactors
5	N/A	N/A	9181003-17	Start Capacitor
6	N/A	N/A		Potential Relay
7	9041095-01	N/A	N/A	High Pressure Control
8	3011795-01	3011795-01	3011795-01	Control Box Cover-Not Shown