

Item Code	Part Description	Part Number	GRP	EC 1406	EC 1806
<b>AIR COOLED</b>					
5	Air Condenser	9141064-01	AC	X	
10	Fan Blade	9131053-01	AC	X	
15	Fan Motor	9161078-03	AC	X	
20	Fan Motor Bracket	9131054-01	AC	X	
25	Fan Shroud	3013112-01	AC	X	
30	Fan Shroud - Screw #8 x 1/2	9031046-02	AC	X	
<b>COMPRESSOR AND COMPONENTS (*Kit Includes Drier and Start Components)</b>					
100	Compressor - (Bristol Replacement)	1051103-01	C	X	
101	Compressor - (Copeland Replacement)	9181111-11	C	X	
100	Compressor - 3 PHASE	9181111-12	C	X	
100	Compressor - (Bristol Replacement)	1051104-01	C		X
101	Compressor - (Copeland Replacement)	9181108-11	C		X
100	Compressor - 3 PHASE	9181108-12	C		X
105	Run Capacitor	9181009-13	C		X
105	Run Capacitor	9181009-12	C	X	
110	Start Capacitor	9181003-06	C	X	X
115	Start Relay	9181010-17	C		X
115	Start Relay	9181010-16	C	X	
<b>ELECTRICAL</b>					
210	Contactor - 1 Pole	9101002-04	E	X	X
210	Contactor - 3 Pole (3 Phase)	9101079-02	E	X	X
215	Terminal Block-3 Pole	9101037-01	E	X	X
215	Terminal Block-5 Position	9101037-03	E	X	X
215	Terminal Block-4 Pole	9101037-02	E	X	X
220	High Temp Safety	9041087-01	E	X	X
225	Relay (230 Volt)	9101084-02	E	X	X
230	Relay Socket	9101083-01	E	X	X
240	Switch - Bin Control (Curtain)	9101145-03	E	X	X
245	Switch - On/Off/Wash (Rocker)	9101195-01	E	X	X
250	Switch - Purge Harvest (Rocker)	9101139-03	E	X	X
255	Timer	9101148-01	E	X	X
<b>EVAPORATOR</b>					
300	Evaporator Plastic Bottom	9051135-04	EV	X	X
305	Evaporator Plastic Side Panel LH	9051136-05	EV	X	
310	Evaporator Plastic Side Panel RH	9051136-06	EV	X	
315	Evaporator Plastic Spillway	9051135-05	EV	X	X
320	Evaporator Plate Assy - Full Cube LH	2051125-81	EV		X
320	Evaporator Plate Assy - Full Cube RH	2051126-81	EV		X
320	Evaporator Plate Assy - Half Cube LH	2051125-82	EV		X
320	Evaporator Plate Assy - Half Cube RH	2051126-82	EV		X
320	Evaporator Plate Assy - Full Cube LH	2051148-81	EV	X	
320	Evaporator Plate Assy - Full Cube RH	2051147-81	EV	X	
320	Evaporator Plate Assy - Half Cube LH	2051148-82	EV	X	
320	Evaporator Plate Assy - Half Cube RH	2051147-82	EV	X	
320	Evaporator Plate Assy - Jumbo LH	NLA	EV	X	
320	Evaporator Plate Assy - Jumbo RH	NLA	EV	X	

Item Code	Part Description	Part Number	GRP	EC 1406	EC 1806
<b>HARVEST ASSIST ASSEMBLY</b>					
900	Bushing - Large	9051001-13	HA	X	X
905	Clutch (Cam) 10 Degree (SECONDARY)	9131190-02	HA	X	X
905	Clutch (Cam) 70 Degree (PRIMARY)	9131190-03	HA	X	X
910	Connecting Rod	9051057-01	HA	X	X
920	Harvest Assy 230V (SECONDARY)	2061962-06S	HA	X	X
920	Harvest Assy 230V (PRIMARY)	2061962-07S	HA	X	X
	Probe Motor Bracket	NLA	HA	X	X
925	Hex Nut #10-32 (For 2061620-07 and -08)	9031005-03	HA	X	X
930	Probe Motor 230V	9161031-01	HA	X	X
935	Probe Shaft (For 2061620-07 and -08)	9131189-01	HA	X	X
935	Single Length Probe Shaft	9021102-01	HA	X	X
940	Screw Shoulder (Rod/Clutch)	9031119-01	HA	X	X
945	Screw #4 - 40 x 3/4 (Switch)	9031008-16	HA	X	X
950	Screw #6 - 32 x 1/2 (Motor)	9031019-08	HA	X	X
955	Speed Nut Plate	9031120-01	HA	X	X
965	Switch - Cam (Micro)	9101160-01	HA	X	X
960	Switch Insulator (Micro)	3051145-01	HA	X	X
970	Swivel for 9131189-01	9021017-02	HA	X	X
975	Washer - Flat #10, Stainless	9031003-03	HA	X	X
<b>MISCELLANEOUS</b>					
	Plastic Nut	9031141-01	M	X	X
405	Hose Clamp #14	9021010-03	M	X	X
410	Hose Clamp #18	9021010-04	M	X	X
420	Ice Deflector Kit Without Thermo Well	1051026-02	M	X	X
425	Ice Deflector Kit With Thermo Well	1051026-04	M	X	X
430	Ice Deflector - Inner	3011756-01	M	X	X
435	Screw Retainer (RUBBER WASHER)	9031004-19	M	X	X
440	Screw - Water Through	9031046-17	M	X	X
445	Screw - Water Tube Assy	9031122-01	M	X	X
<b>PANELS</b>					
	Paint Grey Touch-up (Spray Can)	5011077-20	P	X	X
502	Control Box Cover	NLA	P	X	X
504	Control Box Top Cover	NLA	P	X	X
506	Front Panel - Grey (ICE-O-MATIC LOGO)	2031374-05	P	X	
506	Front Panel - Stainless St. (ICE-O-MATIC LOGO)	2031335-06	P	X	X
510	J-Clip	NLA	P	X	X
516	Rear Panel	NLA	P	X	
516	Rear Panel	NLA	P		X
516	Rear Panel (H/N)	NLA	P	X	
520	Screw #8 - 18 x 3/4	9031074-02	P	X	X
522	Screw #8 - 18 x 3/8, Painted	NLA	P	X	X
522	Screw #8 - 18 x 3/8, Stainless Steel	9031046-21	P	X	X
528	Side Panel LH, Grey	NLA	P	X	
528	Side Panel LH, Grey	NLA	P		X
528	Side Panel LH, Stainless Steel (H/N)	NLA	P	X	
528	Side Panel LH, Stainless Steel	3021562-02	P	X	
528	Side Panel LH, Stainless Steel	NLA	P		X
530	Side Panel RH, Grey	NLA	P	X	
530	Side Panel RH, Grey	NLA	P		X
530	Side Panel RH, Stainless Steel	3021559-02	P	X	
530	Side Panel RH, Stainless Steel	3021615-02	P		X
536	Top Panel, Stainless Steel	3021432-01	P	X	

536	Top Panel, Stainless Steel (H/N)	NLA	P	X	
09 CUBERS EC1406B1-EC 1806B1- AIR, WATER & REMOTE				(B1 Series)	

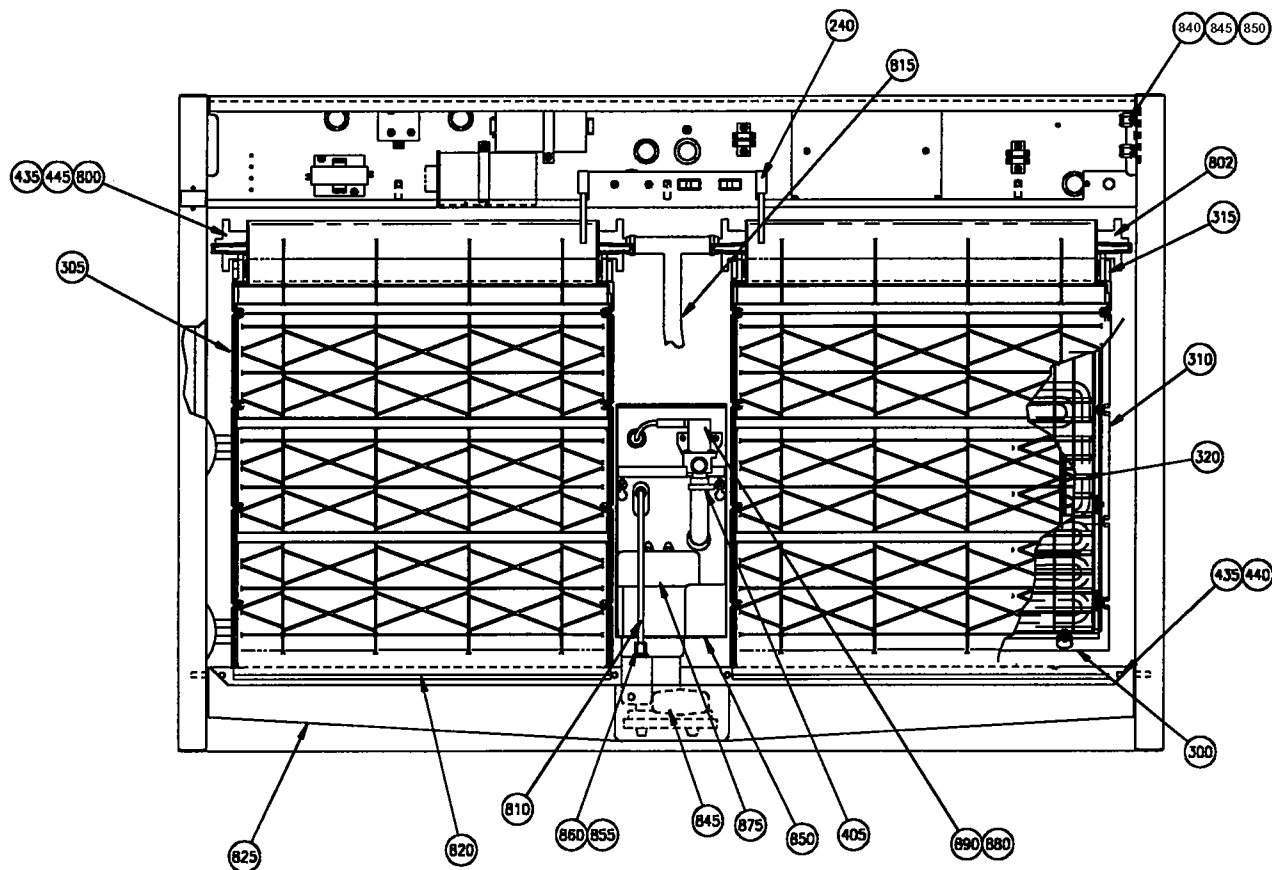
Item Code	Part Description	Part Number	GRP	EC 1406	EC 1806
<b>PANELS (Continued)</b>					
536	Top Panel, Painted	NLA	P		X
536	Top Panel, Grey	NLA	P	X	
589	Front Lower Panel Assy, Stainless	2031337-01	P		X
<b>REFRIGERATION</b>					
600	Expansion Valve Assy*	2041627-01	REF		X
605	Distributor	9151061-01	REF		X
610	Expansion Valve	9151006-08	REF	X	
610	Expansion Valve	9151006-12	REF		X
	Check Valve	9151023-01	REF	X	X
615	Filter Drier	9151004-03	REF	X	X
625	Hot Gas Valve Assy - PARKER	9151090-01	REF	X	X
630	Hot Gas Valve Coil - JE 230V	NLA	REF	X	
630	Hot Gas Valve Coil - PARKER 230V	9151091-92	REF	X	X
635	Low Pressure Timer Initiate	9041094-01	REF	X	X
650	Service Valve Cap	9091086-02	REF	X	X
645	Service Valve Core	9091086-03	REF	X	X
640	Service Valve Assy	2101160-01	REF	X	X
*EXPANSION VALVE ASSY INCLUDES SOLDERED TXV, DISTRIBUTOR AND TUBING					
<b>REMOTE</b>					
700	Accumulator Assembly	2091159-01	REM	X	
700	Accumulator Assembly	2091171-01	REM		X
705	Contactora - 2 Pole Remote	9101015-04	REM	X	X
710	Filter Drier - Remote	9151004-03	REM	X	X
715	Liquid Line Valve Body - PARKER	9151090-01	REM	X	X
720	Liquid Line Valve Coil - PARKER 230V	9151091-92	REM	X	X
725	Mixing Valve (240 PSI)	9151027-06	REM	X	X
730	Pumpdown Control Assy	9041040-01	REM	X	X
735	Receiver	9151079-01	REM		X
735	Receiver	9151060-01	REM	X	
737	High Pressure Control (450 PSI)	9041051-04	REM	X	X
<b>REMOTE CONDENSER</b>					
740	Coupling Half Bulkhead 1/2	9091001-12	RC	X	X
745	Coupling Half Bulkhead 3/8	9091001-11	RC	X	X
750	Coupling Half Lineset 1/2	9091001-08	RC	X	X
755	Coupling Half Lineset 1/2 W/Port	9091001-10	RC	X	X
760	Coupling Half Lineset 3/8	9091001-02	RC	X	X
765	Coupling Half Lineset 3/8 W/Port	9091001-04	RC	X	X
766	Coupling Half Mounting Flange 1/2	9091001-09	RC	X	X
767	Coupling Half Mounting Flange 3/8	9091001-03	RC	X	X
770	Fan Blade (LARKIN ONLY)	1011179-98	RC	X	X
775	Fan Motor (LARKIN ONLY)	1011179-99	RC	X	X
780	Fan Shroud (LARKIN ONLY)	1011181-97	RC	X	X
<b>WATER COOLED</b>					
790	Water Condenser	9141061-02	WC	X	
790	Water Condenser	9141060-01	WC		X
791	Filter Drier	9151004-03	WC	X	
<b>WATER COOLED (Continued)</b>					
792	High Pressure Control (450 PSI)	9041051-04	WC	X	
795	Water Regulator Valve	9041056-01	WC		X
795	Water Regulator Valve	9041059-01	WC	X	

Item Code	Part Description	Part Number	GRP	EC 1406	EC 1806
<b>WATER DISTRIBUTION</b>					
800	Water Distribution Tube LH	2041338-02	WD	X	
802	Water Distribution Tube RH	2041338-01	WD	X	
810	Water Inlet Polyethylene Tube (43" Req)	6021032-01	WD	X	X
815	Water Pump Tube	9051213-01	WD	X	
815	Water Pump Tube	9051192-01	WD		X
<b>WATER DISTRIBUTION</b>					
820	Water Splash Curtain	9051154-12	WD		X
820	Water Splash Curtain	9051154-08	WD	X	
825	Water Trough	9051201-01	WD		X
825	Water Trough	9051153-07	WD	X	
<b>WATER FLOAT</b>					
845	Water Float Assy	9131111-01	WF	X	X
850	Water Float Deflector	3051162-01	WF	X	X
<b>WATER PUMP</b>					
875	Water Pump 3000 RPM 230V	9161079-02	WP	X	X
	Thumbscrews for Water Pump (2 Req)	9161076-101	WP	X	X
850	Water Pump Bracket, Stainless Steel	2021442-01	WP	X	X
855	Water Purge Valve Cover	NLA	WP	X	X
855	Water Purge Valve Cover SS	NLA	WP	X	X
<b>WATER PURGE VALVE</b>					
880	Water Purge Valve Assy	9041014-07	WPV	X	X
890	Water Purge Valve Coil	9041014-91	WPV	X	X

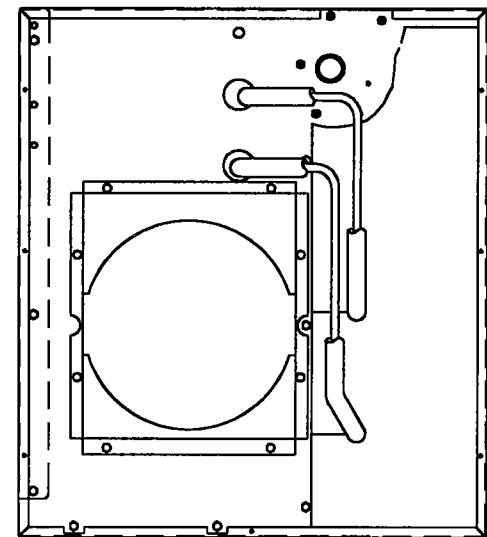
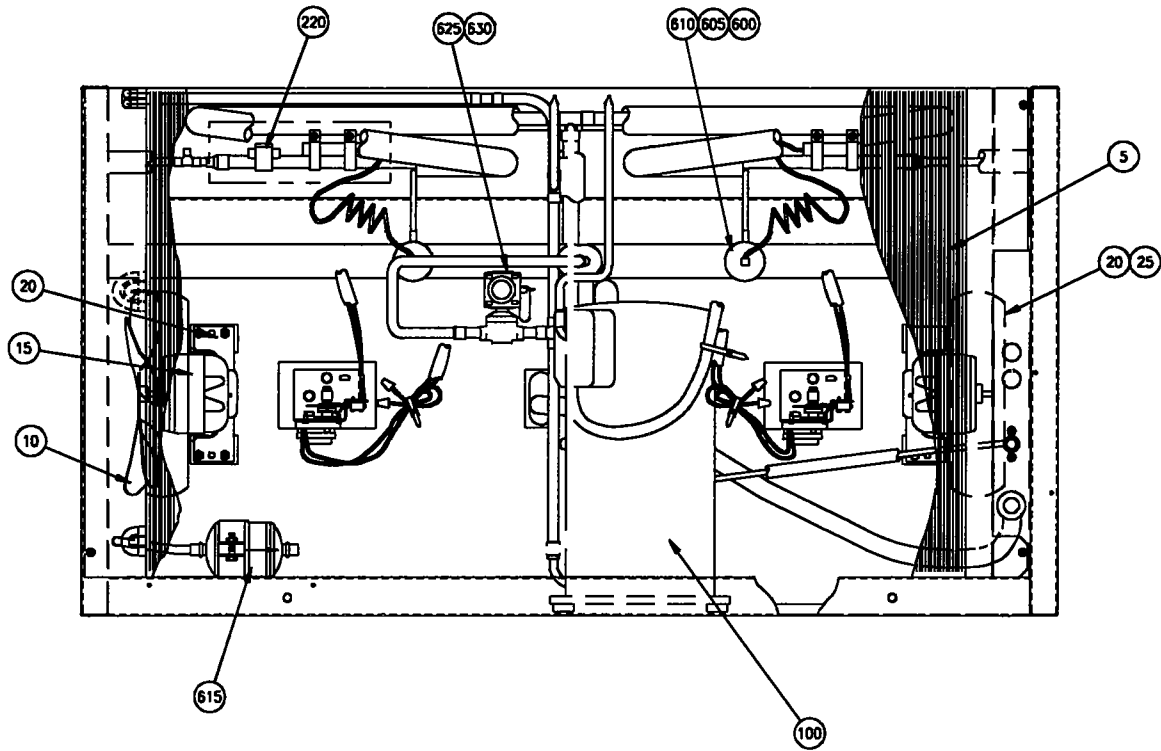
REFRIGERANT CHARGE			PRESSURES	
MODEL	REF TYPE	OZ.	LP	DP
EC1406 AIR	R404A	108	37	
EC1406 WATER	R404A	28	37	250
EC1406 REMOTE	R404A	240	37	
EC1806 WATER	R404A	42	37	250
EC1806 REMOTE	R404A	400	37	

LP= LOW PRESSURE/TIMER INITIATE CONTROL SETTING  
DP=DISCHARGE PRESSURE SETTING/WATER COOLED CUBERS  
HP=HIGH PRESSURE SAFETY CONTROL SETTING

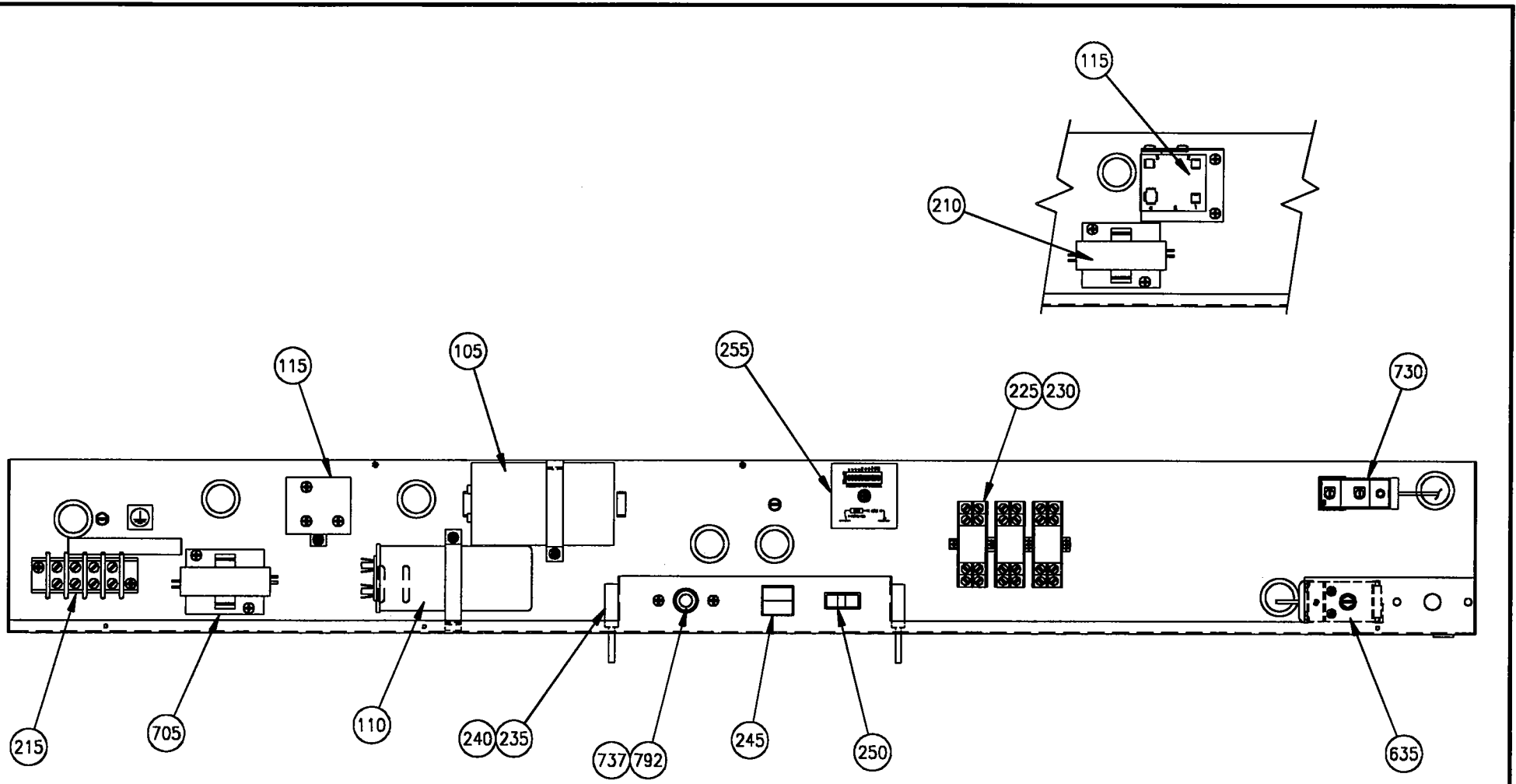
Item Code	Part Description	Part Number	GRP	EC 1405	EC 1805
Shaded Item Code indicates updated information					
<b>AIR COOLED</b>					
15	Fan Motor	9161059-01	AC	X	
<b>COMPRESSOR AND COMPONENTS (*Kit Includes Drier and Start Components)</b>					
100	Compressor-EC1405	9181094-02	C	X	
100	Compressor-EC1805 Bristol	9181100-01	C		X
105	Run Capacitor	9181009-18	C	X	
105	Run Capacitor Bristol	9181009-13	C		X
110	Start Capacitor	9181003-19	C	X	
110	Start Capacitor Bristol	9181003-30	C		X
115	Start Relay	9181010-10	C	X	
115	Start Relay Bristol	9181010-17	C		X
<b>ELECTRICAL</b>					
210	Contactor - 1 Pole	9101002-04	E	X	X
225	Relay (230 Volt)	9101084-02	E	X	X
<b>EVAPORATOR</b>					
320	Evaporator Plate Assy - Jumbo LH	NLA	EV	X	
320	Evaporator Plate Assy - Jumbo RH	NLA	EV	X	
<b>HARVEST ASSIST ASSEMBLY</b>					
920	Harvest Assy 230V (SECONDARY)	2061962-06S	HA	X	X
920	Harvest Assy 230V (PRIMARY)	2061962-07S	HA	X	X
930	Probe Motor 230V	9161031-01	HA	X	X
<b>PANELS</b>					
506	Front Panel - Grey (ICE-O-MATIC LOGO)	2031374-05	P	X	
506	Front Panel - Grey (MILE HIGH LOGO)	2031374-06	P	X	X
506	Front Panel - S/S (ICE-O-MATIC LOGO)	2031335-06	P	X	X
<b>REFRIGERATION</b>					
625	Hot Gas Valve Assy - PARKER	9151090-01	REF	X	X
630	Hot Gas Valve Coil - JE 230V	9151053-94	REF		
630	Hot Gas Valve Coil - PARKER 230V	9151091-92	REF	X	X
<b>REMOTE</b>					
700	Accumulator Assembly	2091159-01	REM	X	
700	Accumulator Assembly	2091171-01	REM		X
705	Contactor - 2 Pole Remote	9101015-04	REM	X	X
715	Liquid Line Valve Body - ALCO	9151123-02	REM	X	X
720	Liquid Line Valve Coil - ALCO	9151123-04	REM	X	X
<b>REMOTE CONDENSER</b>					
775	Fan Motor (LARKIN ONLY)	1011179-99	RC	X	X
<b>WATER PUMP</b>					
875	Water Pump 3000 RPM 230V	9161079-02	WP	X	X
875	Water Pump 3000 RPM 230V (PLATED)	9161079-03	WP	X	X
<b>WATER PURGE VALVE</b>					
880	Water Purge Valve Assy	9041014-07	WPV	X	X
890	Water Purge Valve Coil	9041014-91	WPV	X	X
<b>REFRIGERANT CHARGE</b>				<b>PRESSURES</b>	
<b>MODEL</b>		<b>REF TYPE</b>	<b>OZ.</b>	<b>LP</b>	<b>DP</b>
EC1405- AIR		R404A	108	37	
EC1405 WATER		R404A	28	37	250
EC1405 REMOTE		R404A	240	37	
EC1805 WATER		R404A	42	37	250
EC1805 REMOTE		R404A	400	37	



MODEL: C13B-C18B A/W/R "B" SERIES		
RESTRICTED, CONFIDENTIAL DOCUMENT		
<small>This drawing and all information contained herein are the exclusive property of Ingersoll Rand Equipment Company and are not to be used, copied, or reproduced in any manner without the written consent of the company. In the event of any dispute, the drawings of the company shall prevail over all other drawings or information shown herein. All in whole or in part may be used for any purpose without the written consent of Ingersoll Rand Equipment Company.</small>		
CHASSIS ASSEMBLY		
SCALE: 1=1	SHEET: 2 OF 8	DATE: 1978
		C1318B-2



MODEL: C136-C186 A/W/R "P" SERIES  
 RESTRICTED, CONFIDENTIAL DOCUMENT  
 This drawing and all information shown hereon are the exclusive property of the Lockheed Corporation and are not to be used, copied, or reproduced in any form, by any means, without the prior written permission of Lockheed Corporation. It is the responsibility of the user to obtain the necessary clearance from the appropriate authority before using this information in any way.  
**ICE-O-MATIC**  
 A LOCKHEED COMPANY  
 TITLE: CHASSIS ASSEMBLY  
 SHEET: 1 OF 1  
 DATE: 2 8 68  
 C1318B-2



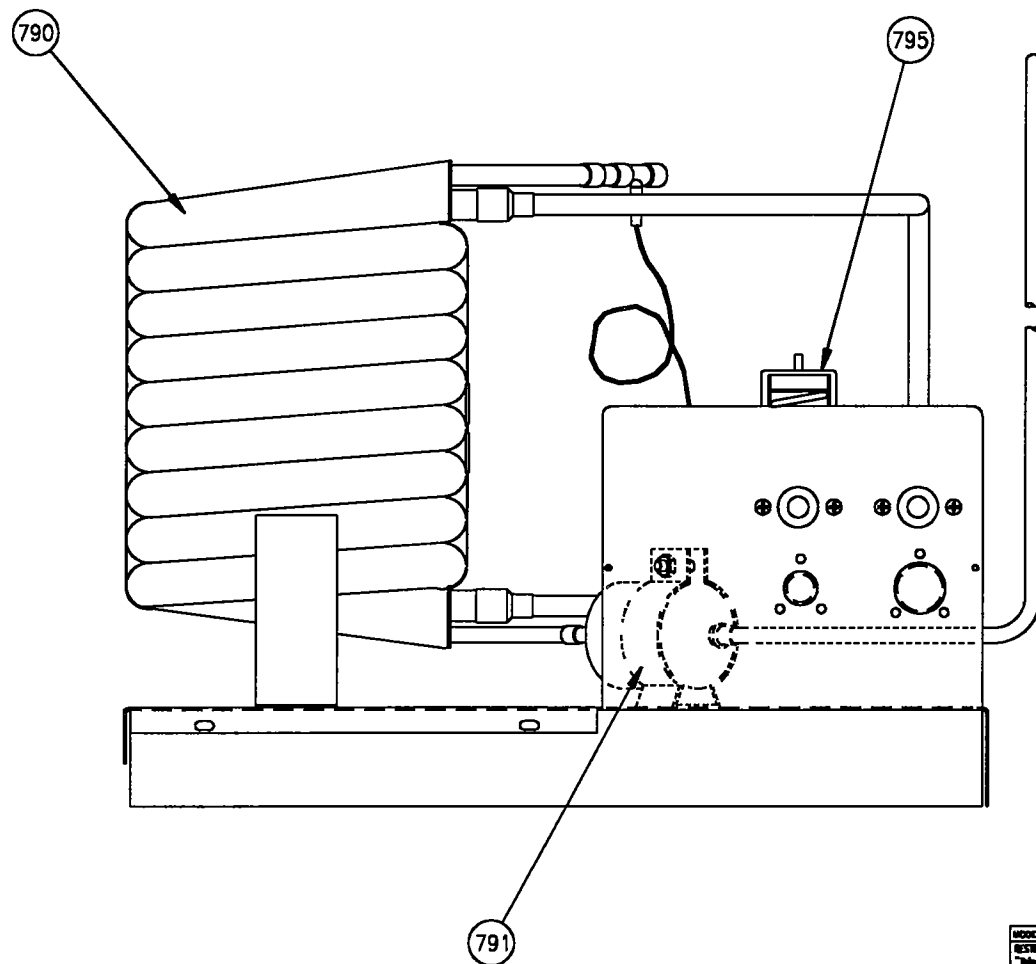
MODEL: C136-C138 A/W/R "F" SERIES

**RESTRICTED CONFIDENTIAL DOCUMENT**

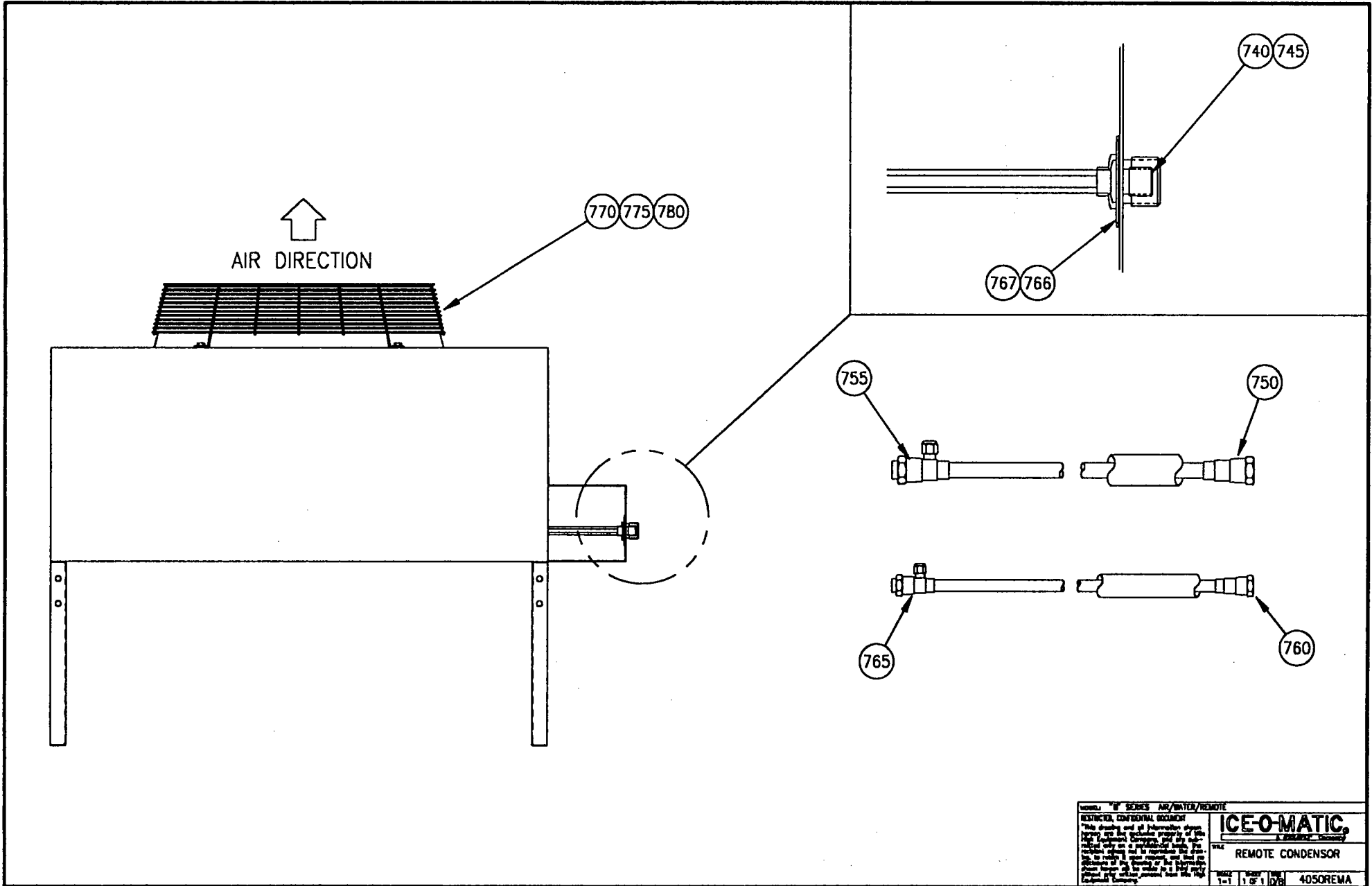
**ICE-O-MATIC**  
A PERFORMER COMPANY

CONTROL BOX ASSEMBLY

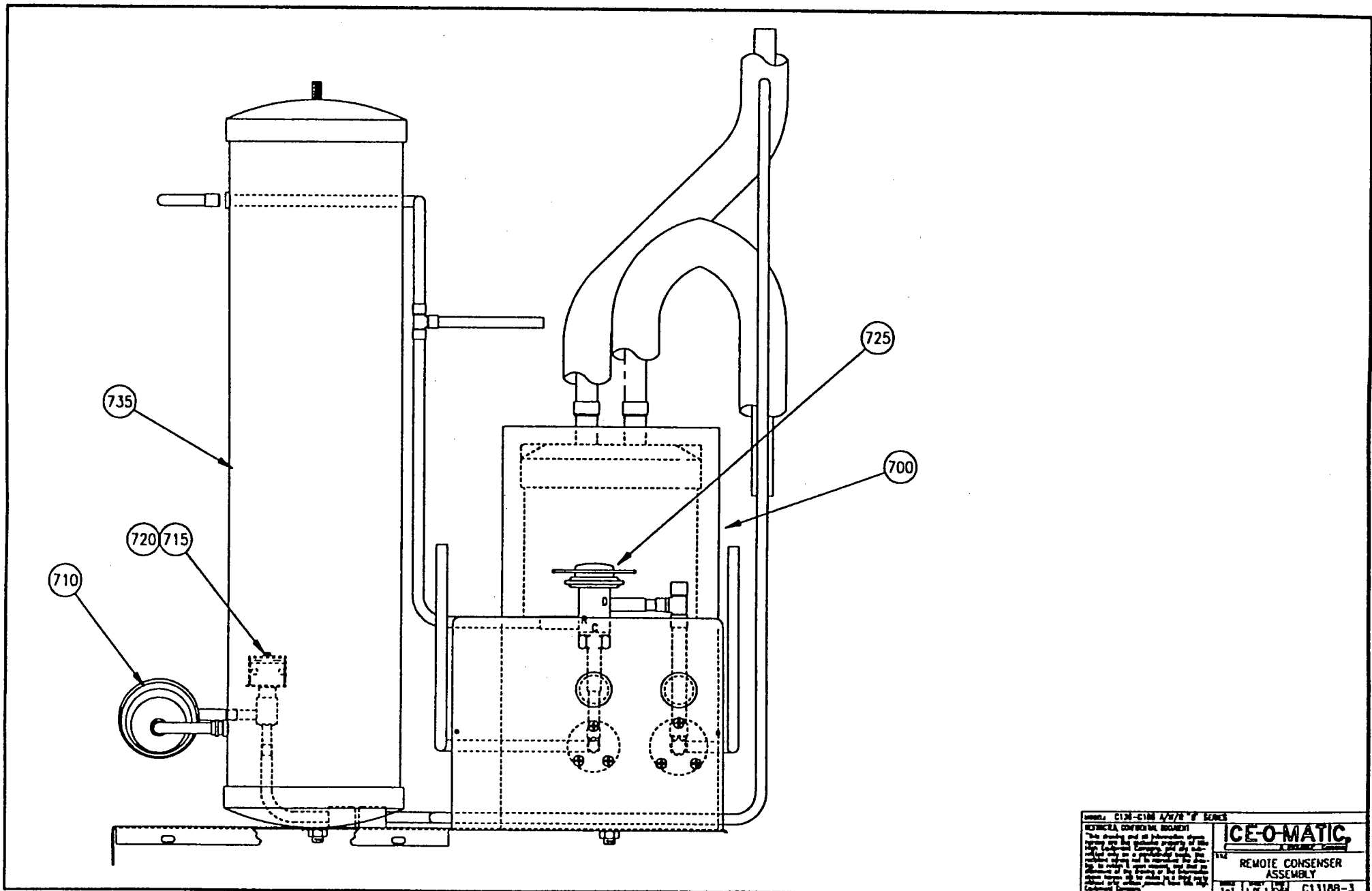
1318CBOX



MODEL: C135-C138 A/W/R "F" SERIES	
RESTRICTED CONFIDENTIAL DOCUMENT	
<small>This drawing and all information thereon are the exclusive property of the International Refrigeration and Air Conditioning Institute, Inc. and are not to be used, copied, or reproduced in any form without the written consent of the Institute. The Institute is not responsible for any errors or omissions in this drawing and shall not be liable for any damages or losses of any kind resulting from the use of this drawing. The Institute is not responsible for any damages or losses of any kind resulting from the use of this drawing.</small>	
<b>ICE-O-MATIC</b>	
A PERMANENT COMPANY	
TITLE: REMOTE CONDENSER ASSEMBLY	
SCALE: 1"=1'	DATE: 5 27 68
C13188-3	

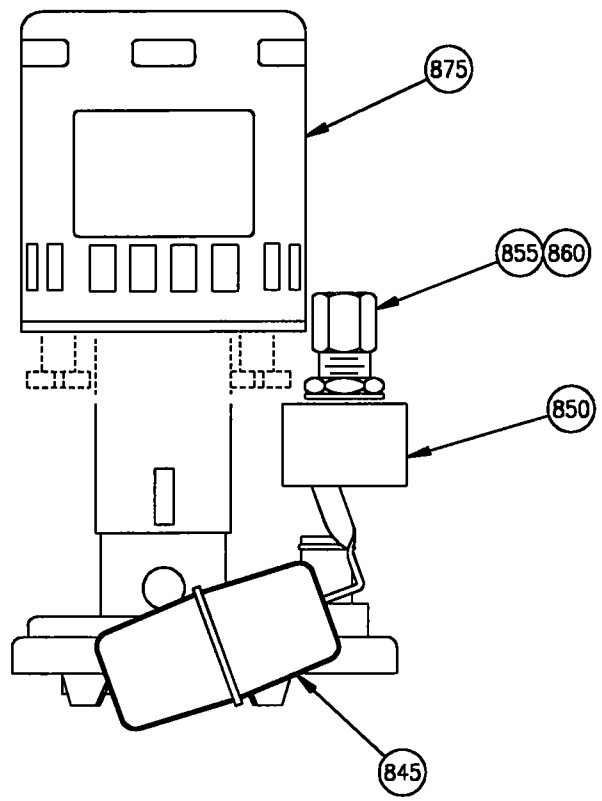


MODEL: "B" SERIES AIR/WATER/REMOTE  
 RESTRICTED CONFIDENTIAL DOCUMENT  
 This drawing and all information thereon are the exclusive property of the ICE-O-MATIC COMPANY and are not to be distributed, copied, or reproduced in any form without the written consent of the ICE-O-MATIC COMPANY. The ICE-O-MATIC COMPANY is not responsible for any errors or omissions in this drawing or for any damage or loss resulting therefrom. The ICE-O-MATIC COMPANY is not responsible for any damage or loss resulting from the use of this drawing or for any damage or loss resulting from the use of the ICE-O-MATIC COMPANY's products.  
**ICE-O-MATIC**  
 REMOTE CONDENSOR  
 SCALE: 1-1  
 DATE: 1/27/68  
 405OREMA



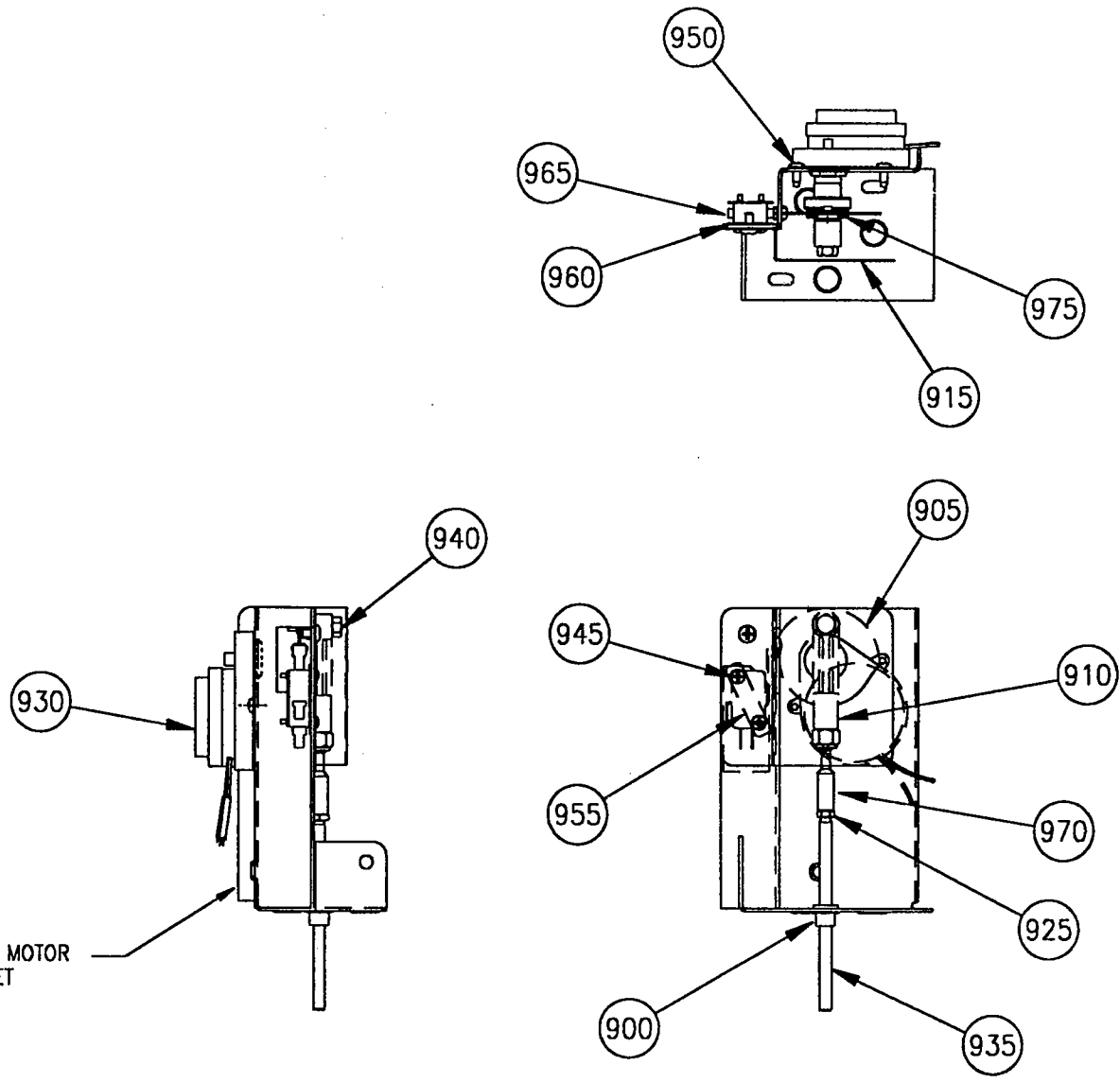
MODEL: C138-C139 1/2" R.F. SERIES  
 TECHNICAL DRAWING BOARD  
 This drawing and all information thereon are the property of the manufacturer and are not to be reproduced, stored in a retrieval system, or transmitted in any form or by any means, electronic, mechanical, photocopying, recording, or by any information storage and retrieval system, without the prior written permission of the manufacturer.  
 © 1974  
 1-1 1 of 1 1974 C13188-3

**ICE-O-MATIC**  
 REMOTE CONDENSER ASSEMBLY



MODEL A/W/R '9 SERIES THIS DRAWING AND ALL INFORMATION HEREON ARE THE SOLE PROPERTY OF THE ICE-O-MATIC COMPANY, AND ARE NOT TO BE REPRODUCED OR TRANSMITTED IN ANY FORM OR BY ANY MEANS, ELECTRONIC OR MECHANICAL, INCLUDING PHOTOCOPYING, RECORDING, OR BY ANY INFORMATION STORAGE AND RETRIEVAL SYSTEM, WITHOUT THE WRITTEN PERMISSION OF ICE-O-MATIC COMPANY. © 1998 ICE-O-MATIC COMPANY		<b>ICE-O-MATIC</b> <small>ICE-O-MATIC COMPANY</small>
TITLE WATER PUMP/FLOAT ASSEMBLY		SHEET NO. 1 OF 1 WPUMP

PROBE MOTOR  
BRACKET



HARVEST PROBE ASSEMBLY

<small>NOTES:</small> REFER TO COMPONENTS SECTION This drawing and all information on it are the property of the manufacturer and are not to be distributed outside the company without the written consent of the manufacturer. The manufacturer assumes no responsibility for the use of this drawing for any purpose other than that for which it was prepared. The manufacturer reserves the right to change this drawing without notice and without obligation to those to whom it has been furnished.		<b>ICE-O-MATIC</b> <small>A DIVISION OF</small> <b>PROBASSY</b>
PROBE ASSEMBLY		
1-1	1-1	PROBASSY