

5.0 CUBERS C136-C186 "B" SERIES AIR, WATER AND REMOTE

Item Code	Part Description	Part Number	GRP	C 136	C 186
AIR COOLED					
5	Air Condenser	9141064-01	AC	X	
10	Fan Blade 10"	9131053-01	AC	X	
15	Fan Motor 35 watt	9161078-03	AC	X	
20	Fan Motor Bracket	9131054-01	AC	X	
25	Fan Shroud	3013112-01	AC	X	
30	Fan Shroud - Screw #8 x 1/2	9031046-03	AC	X	
COMPRESSOR AND COMPONENTS (*Kit Includes Drier and Start Components)					
100	*Compressor Kit-3 PH C137	9181067-12	C	X	
100	*Compressor Kit-COPE	9181067-11	C	X	
100	*Compressor Kit-3 PH CRKE-0325-TF5	NLA	C		X
100	*CompressorKit-COPELAND CRKE-0325-PFV	NLA	C		X
105	Run Capacitor	9181009-14	C	X	
110	Start Capacitor	9181003-21	C	X	X
110	Start Capacitor	9181003-19	C		
115	Start Relay	9181010-04	C	X	
115	Start Relay	9181010-11	C		X
ELECTRICAL					
210	Contactora - 1 Pole	9101002-04	E	X	X
210	Contactora - 3 Pole (3 Phase)	9101079-02	E	X	X
215	Terminal Block-3 Pole	9101037-01	E	X	X
215	Terminal Block-4 Pole	9101037-02	E	X	X
215	Terminal Block-5 Position	9101037-03	E	X	X
220	High Temp Safety	9041087-01	E	X	X
225	Relay (230 Volt)	9101084-02	E	X	X
230	Relay Socket	9101083-01	E	X	X
240	Switch - Bin Control Limit (Curtain)	9101145-03	E	X	X
245	Switch - On/Off/Wash (Rocker)	9101195-01	E	X	X
250	Switch - Purge (Rocker)	9101139-03	E	X	X
255	Timer	9101148-01	E	X	X
EVAPORATOR					
300	Evaporator Plastic Bottom - Water Return	9051135-04	EV	X	X
305	Evaporator Plastic Side Panel LH	9051136-05	EV	X	
305	Evaporator Plastic Side Panel LH	9051170-04	EV		X
310	Evaporator Plastic Side Panel RH	9051136-02	EV	X	
310	Evaporator Plastic Side Panel RH	9051170-03	EV		X
315	Evaporator Plastic Top - Spillway	9051135-05	EV	X	X
320	Evaporator Plate Assy - Full Cube LH	2051125-81	EV		X
320	Evaporator Plate Assy - Half Cube LH	2051125-82	EV		X
320	Evaporator Plate Assy - Full Cube RH	2051126-81	EV		X
320	Evaporator Plate Assy - Half Cube RH	2051126-82	EV		X
320	Evaporator Plate Assy - Full Cube RH	2051147-81	EV	X	
320	Evaporator Plate Assy - Half Cube RH	2051147-82	EV	X	
320	Evaporator Plate Assy - Jumbo RH	NLA	EV	X	
320	Evaporator Plate Assy - Full Cube LH	2051148-81	EV	X	
320	Evaporator Plate Assy - Half Cube LH	2051148-82	EV	X	
320	Evaporator Plate Assy - Jumbo LH	NLA	EV	X	
HARVEST ASSIST ASSEMBLY					
900	Bushing - Large	9051001-13	HA	X	X
905	Clutch (Cam) 10 Degree (SECONDARY)	9131190-02	HA	X	X
905	Clutch (Cam) 70 Degree (PRIMARY)	9131190-03	HA	X	X
910	Connecting Rod	9051057-01	HA	X	X
915	Drip Shield	3012280-01	HA	X	X

5.0 CUBERS C136-C186 "B" SERIES AIR, WATER AND REMOTE

Item Code	Part Description	Part Number	GRP	C 136	C 186
HARVEST ASSIST ASSEMBLY (Continued)					
920	Harvest Assy 230V (SECONDARY)	2061962-06	HA	X	X
920	Harvest Assy 230V (PRIMARY)	2061962-07	HA	X	X
925	Hex Nut #10-32 (Swivel/Shaft)	9031005-03	HA	X	X
930	Probe Motor 230V	9161031-01	HA	X	X
935	Probe Shaft 4.5 x .219 Stainless Steel	9131189-01	HA	X	X
940	Screw Shoulder (Rod/Clutch)	9031119-01	HA	X	X
945	Screw #4 - 40 x 3/4 (Switch)	9031008-16	HA	X	X
950	Screw #6 - 32 x 1/2 (Motor)	9031019-08	HA	X	X
955	Speed Nut Plate	9031120-01	HA	X	X
960	Switch Insulator (Micro)	3051145-01	HA	X	X
965	Switch - Cam (Micro)	9101160-01	HA	X	X
970	Swivel for 9131189-01	9021017-02	HA	X	X
975	Washer - Flat #10, Stainless	9031003-03	HA	X	X
MISCELLANEOUS					
	Plastic Nut	9031141-01	M	X	X
405	Hose Clamp #14	9021010-03	M	X	X
410	Hose Clamp #18	9021010-04	M	X	X
420	Ice Deflector Kit Without Thermo Well	1051026-02	M	X	X
425	Ice Deflector Kit With Thermo Well	1051026-04	M	X	X
430	Ice Deflector - Inner	3011756-01	M	X	X
435	Screw Retainer	9031004-19	M	X	X
440	Screw - Water Trough	9031046-17	M	X	X
445	Screw - Water Tube Assy	9031122-01	M	X	X
PANELS					
	Paint Grey Touch-up (Spray Can)	5011077-20	P	X	X
502	Control Box Cover	NLA	P	X	X
504	Control Box Top Cover	NLA	P	X	X
506	Front Panel Grey (ICE-O-MATIC LOGO)	NLA	P	X	
506	Front Panel, Stainless (ICE-O-MATIC LOGO)	NLA	P	X	X
510	J-Clip	9021060-01	P	X	X
516	Rear Panel	NLA	P		X
516	Rear Panel	NLA	P	X	
518	Screw #8 - 18 x 1-1/2	9031074-02	P	X	
518	Screw #8-18 x 1-1/2 SS	9031046-18	P	X	X
520	Screw #8-18 x 3/4	9031046-14	P	X	X
522	Screw #8 - 18 x 3/8, Stainless	9031046-21	P	X	X
522	Screw #8 - 18 x 3/8, Painted	9031074-01	P	X	X
526	Screw #8 - 32 x 3/8, Stainless	9031008-02	P	X	X
528	Side Panel LH, Grey	NLA	P		X
528	Side Panel LH, Grey	NLA	P	X	
528	Side Panel LH, Stainless	NLA	P	X	
528	Side Panel LH, S/S (HN)	NLA	P	X	
528	Side Panel, Stainless LH	NLA	P		X
530	Side Panel RH, Grey	NLA	P		X
530	Side Panel RH, Stainless	NLA	P	X	
530	Side Panel, Stainless RH	NLA	P		X
530	Side Panel RH, Grey	NLA	P	X	
536	Top Panel, Grey	NLA	P	X	
536	Top Panel, Grey	NLA	P		X
536	Top Panel, S/S (HN)	NLA	P	X	
536	Top Panel, Stainless	NLA	P	X	
536	Top Panel, Stainless	NLA	P		X

5.0 CUBERS C136-C186 "B" SERIES AIR, WATER AND REMOTE

Item Code	Part Description	Part Number	GRP	C 136	C 186
PANELS (Continued)					
589	Front Lower Panel Assy, Stainless	NLA	P		X
REFRIGERATION					
600	Expansion Valve Tube Assembly*	2041548-01	REF		X
605	Distributor	9151061-01	REF		X
610	Expansion Valve	NLA	REF		X
610	Expansion Valve	NLA	REF	X	
	Check Valve	9151023-01	REF	X	X
615	Filter Drier	9151004-03	REF	X	X
625	Hot Gas Valve Assy PARKER 230V	9151090-01	REF	X	X
630	Hot Gas Valve Coil - JE 230V	9151053-94	REF	X	X
630	Hot Gas Valve Coil - PARKER 230V	9151091-92	REF	X	X
635	Low Pressure Timer Initiate	9041094-01	REF	X	X
640	Service Valve Assy	2101160-01	REF	X	X
645	Service Valve Core	9091086-03	REF	X	X
650	Service Valve Cap	9091086-02	REF	X	X
*Includes Brazed Expansion Valve, Distributor and Tubing Assembly					
REMOTE					
700	Accumulator Assembly C136 & C137	2091147-01	REM	X	
700	Accumulator Assembly	NLA	REM		X
705	Contactora - 2 Pole Remote	9101015-04	REM	X	X
715	Liquid Line Valve Assy - SAG	NLA	REM	X	X
715	Liquid Line Valve Body - ALCO	9151123-02	REM	X	X
720	Liquid Line Valve Coil - ALCO 230V	9151123-04	REM	X	X
725	Mixing Valve (Headmaster) (240 PSI)	9151027-06	REM	X	X
730	Pumpdown Control Assy	9041040-01	REM	X	X
735	Receiver	9151079-01	REM		X
735	Receiver	9151060-01	REM	X	
736	Filter Drier - Remote	9151004-03	REM	X	X
737	High Pressure Control (400 PSI)	9041051-02	REM	X	X
REMOTE CONDENSER					
740	Coupling Half Bulkhead 1/2	9091001-12	RC	X	X
745	Coupling Half Bulkhead 3/8	9091001-11	RC	X	X
750	Coupling Half Lineset 1/2	9091001-08	RC	X	X
755	Coupling Half Lineset 1/2 W/Port	9091001-10	RC	X	X
760	Coupling Half Lineset 3/8	9091001-02	RC	X	X
765	Coupling Half Lineset 3/8 W/Port	9091001-04	RC	X	X
775	Fan Motor (LARKIN ONLY)	1011179-99	RC	X	X
770	Fan Blade (LARKIN ONLY)	1011179-98	RC	X	
770	Fan Blade (LARKIN ONLY)	1011181-99	RC	X	X
WATER COOLED					
790	Water Condenser	9141060-01	WC		X
790	Water Condenser	9141065-01	WC	X	
791	Filter Drier	9151004-03	WC	X	X
792	High Pressure Control (400 PSI)	9041051-02	WC	X	X
795	Water Regulator Valve	9041056-01	WC		X
795	Water Regulator Valve	9041059-01	WC	X	
WATER DISTRIBUTION					
800	Water Distribution Tube LH	2041338-02	WD	X	X
802	Water Distribution Tube RH	2041338-01	WD	X	X
810	Water Inlet Polyurethane Tube (43" required)	6021032-01	WD	X	X
815	Water Pump Tube	9051192-01	WD		X
815	Water Pump Tube	9051213-01	WD	X	

5.0 CUBERS C136-C186 "B" SERIES AIR, WATER AND REMOTE

Item Code	Part Description	Part Number	GRP	C 136	C 186
WATER DISTRIBUTION (Continued)					
820	Water Splash Curtain	9051154-08	WD	X	
820	Water Splash Curtain	9051154-12	WD		X
825	Water Trough	9051153-07	WD	X	
825	Water Trough	9051201-01	WD		X
WATER FLOAT					
845	Water Float Assy	9131111-01	WF	X	X
850	Water Float Deflector	3051162-01	WF	X	X
WATER PUMP					
850	Water Pump Bracket, Stainless Steel	NLA	WP	X	X
855	Water Purge Valve Cover	3012379-01	WP	X	X
855	Water Purge Valve Cover SS	3012375-01	WP	X	X
875	Water Pump 3000 RPM 230V	9161079-02	WP	X	X
	Thumbscrew for Water Pump (2 Req)	9161076-101	WP	X	X
WATER PURGE VALVE					
880	Water Purge Valve Assy	9041014-07	WPV	X	X
890	Water Purge Valve Coil	9041014-91	WPV	X	X

REFRIGERANT CHARGE				
MODEL	REF TYPE	OZ.	LP	LP
C136 AIR	R502	108	30	30
C136 WATER	R502	30	30	30
C136 REMOTE	R502	240	30	30
C186 WATER	R502	48	30	30
C186 REMOTE	R502	400	30	30

LP= LOW PRESSURE/TIMER INITIATE CONTROL SETTING
DP=DISCHARGE PRESSURE SETTING/WATER COOLED CUBERS
HP=HIGH PRESSURE SAFETY CONTROL SETTING

5.1 CUBERS C135-C185 "B" SERIES AIR, WATER AND REMOTE

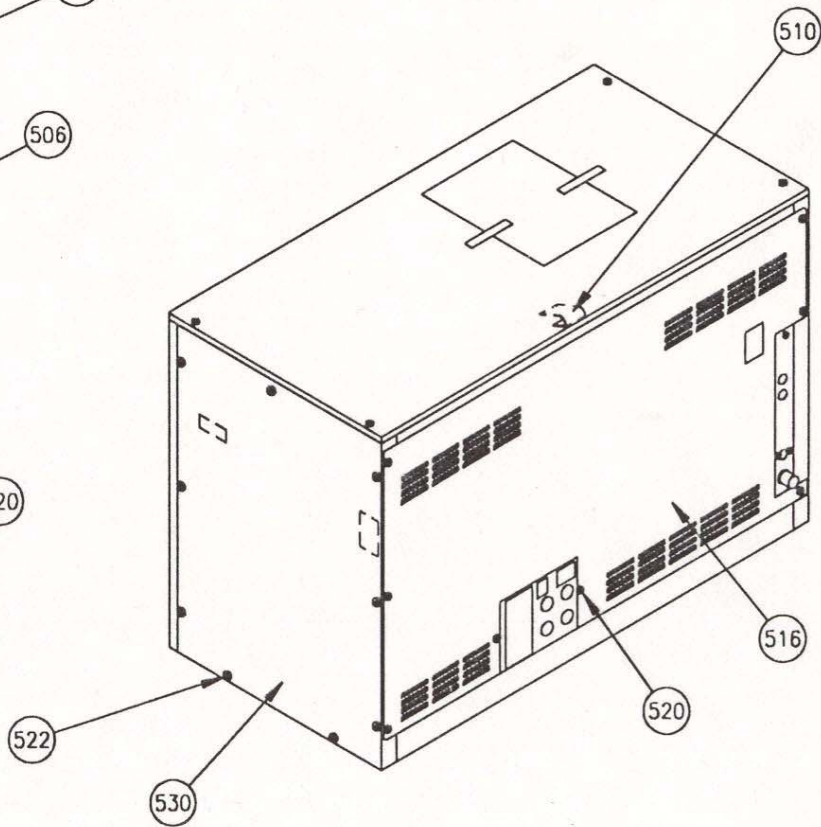
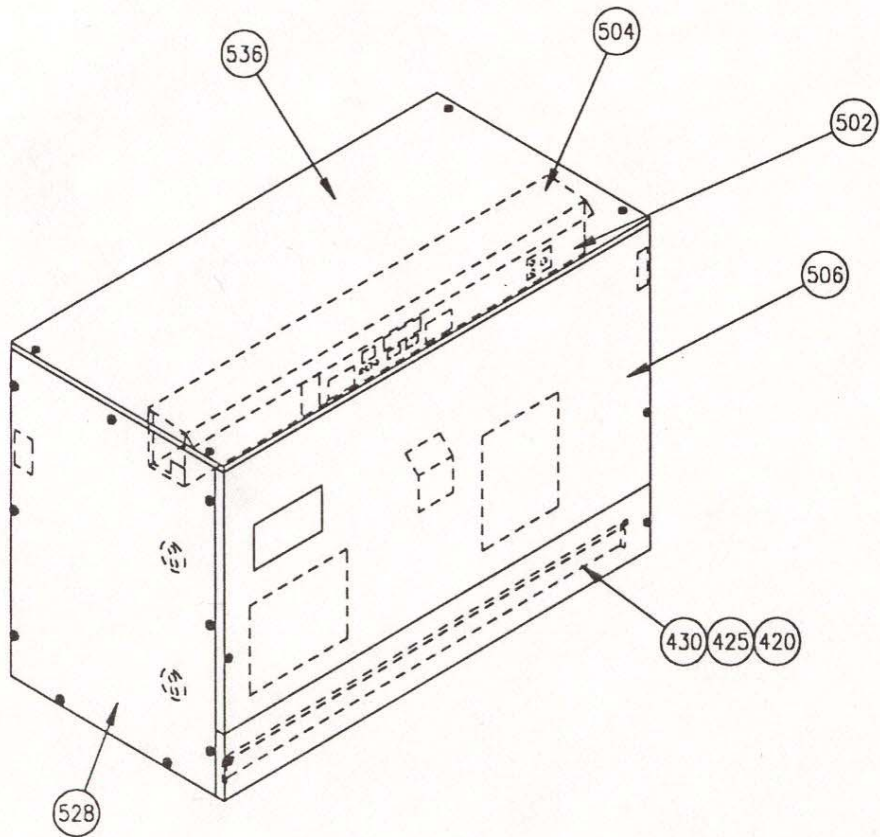
Item Code	Part Description	Part Number	GRP	C 135	C 185
AIR COOLED					
15	Fan Motor 35 watt 50 HZ	9161078-02	AC	X	
COMPRESSOR AND COMPONENTS (*Kit Includes Drier and Start Components)					
100	*Compressor Kit-COPELAND 50 HZ	1051113-01	C	X	
100	*Compressor Kit-COPELAND 50 HZ	1051113-02	C		X
100	Compressor IN KIT (Cope CRJ3-0300-PFJ)	9181067-03	C	X	
100	Compressor IN KIT(Cope CRL3-0350-PFJ)	9181066-03	C		X
105	Run Capacitor (IN KIT)	9181009-12	C	X	
105	Run Capacitor (IN KIT)	9181009-13	C		X
110	Start Capacitor (IN KIT)	9181003-01	C	X	
110	Start Capacitor (IN KIT)	9181003-21	C		X
115	Start Relay (IN KIT)	9181010-04	C	X	
115	Start Relay (IN KIT)	9181010-11	C		X
ELECTRICAL					
210	Contactora - 1 Pole	9101002-04	E	X	X
225	Relay (230 Volt)	9101084-02	E	X	X
255	Timer	9101148-01	E	X	X
EVAPORATOR					
320	Evaporator Plate Assy - Jumbo RH	NLA	EV	X	
320	Evaporator Plate Assy - Jumbo LH	NLA	EV	X	
HARVEST ASSIST ASSEMBLY					
920	Harvest Assy 230V (SECONDARY)	2061962-06	HA	X	X
920	Harvest Assy 230V (PRIMARY)	2061962-07	HA	X	X
930	Probe Motor 230V	9161031-01	HA	X	X
965	Switch - Cam (Micro)	9101160-01	HA	X	X
PANELS					
	Paint Grey Touch-up (Spray Can)	NLA	P	X	X
506	Front Panel Grey (ICE-O-MATIC LOGO)	NLA	P	X	
506	Front Panel Grey (MILE HIGH LOGO)	NLA	P	X	
506	Front Panel, Stainless (ICE-O-MATIC LOGO)	NLA	P	X	X
506	Front Panel, Stainless (MILE HIGH LOGO)	NLA	P	X	X
REFRIGERATION					
600	Expansion Valve Tube Assembly*	2041548-01	REF		X
605	Distributor	9151061-01	REF		X
610	Expansion Valve	NLA	REF		X
610	Expansion Valve	NLA	REF	X	
625	Hot Gas Valve Assy PARKER 230V	NLA	REF	X	X
630	Hot Gas Valve Coil - JE 230V	NLA	REF	X	X
630	Hot Gas Valve Coil - PARKER 230V	NLA	REF	X	X
*Includes Brazed Expansion Valve, Distributor and Tubing Assembly					
REMOTE					
700	Accumulator Assembly C135	2091148-01	REM	X	
700	Accumulator Assembly	2091149-01	REM		X
705	Contactora - 2 Pole Remote	9101015-04	REM	X	X
715	Liquid Line Valve Assy - SAG	NLA	REM	X	X
715	Liquid Line Valve Body - ALCO	9151123-02	REM	X	X
720	Liquid Line Valve Coil - ALCO 230V	9151123-04	REM	X	X
737	High Pressure Control (400 PSI)	9041051-02	REM	X	X

5.1 CUBERS C135-C185 "B" SERIES AIR, WATER AND REMOTE

Item Code	Part Description	Part Number	GRP	C 135	C 185
REMOTE CONDENSER					
775	Fan Motor (LARKIN ONLY)	1011179-99	RC	X	X
WATER COOLED					
792	High Pressure Control (400 PSI)	9041051-02	WC	X	X
WATER PUMP					
875	Water Pump 3000 RPM 230V	9161079-02	WP	X	X
WATER PURGE VALVE					
880	Water Purge Valve Assy	9041014-07	WPV	X	X
890	Water Purge Valve Coil	9041014-91	WPV	X	X

REFRIGERANT CHARGE					
MODEL	REF TYPE	OZ.	LP	DP	
C135-AIR	R502	108	30		
C135-WATER	R502	30	30	225	
C135-REMOTE	R502	240	30		
C185-WATER	R502	48	30	225	
C185-REMOTE	R502	400	30		

LP= LOW PRESSURE/TIMER INITIATE CONTROL SETTING
DP=DISCHARGE PRESSURE SETTING/WATER COOLED CUBERS
HP=HIGH PRESSURE SAFETY CONTROL SETTING



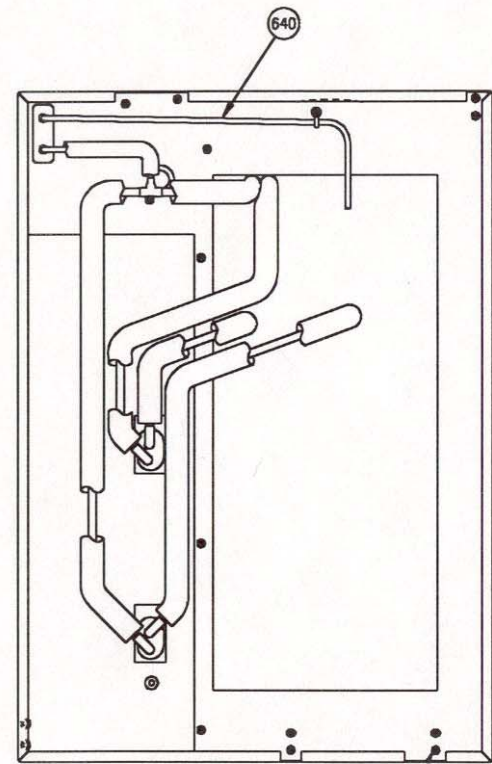
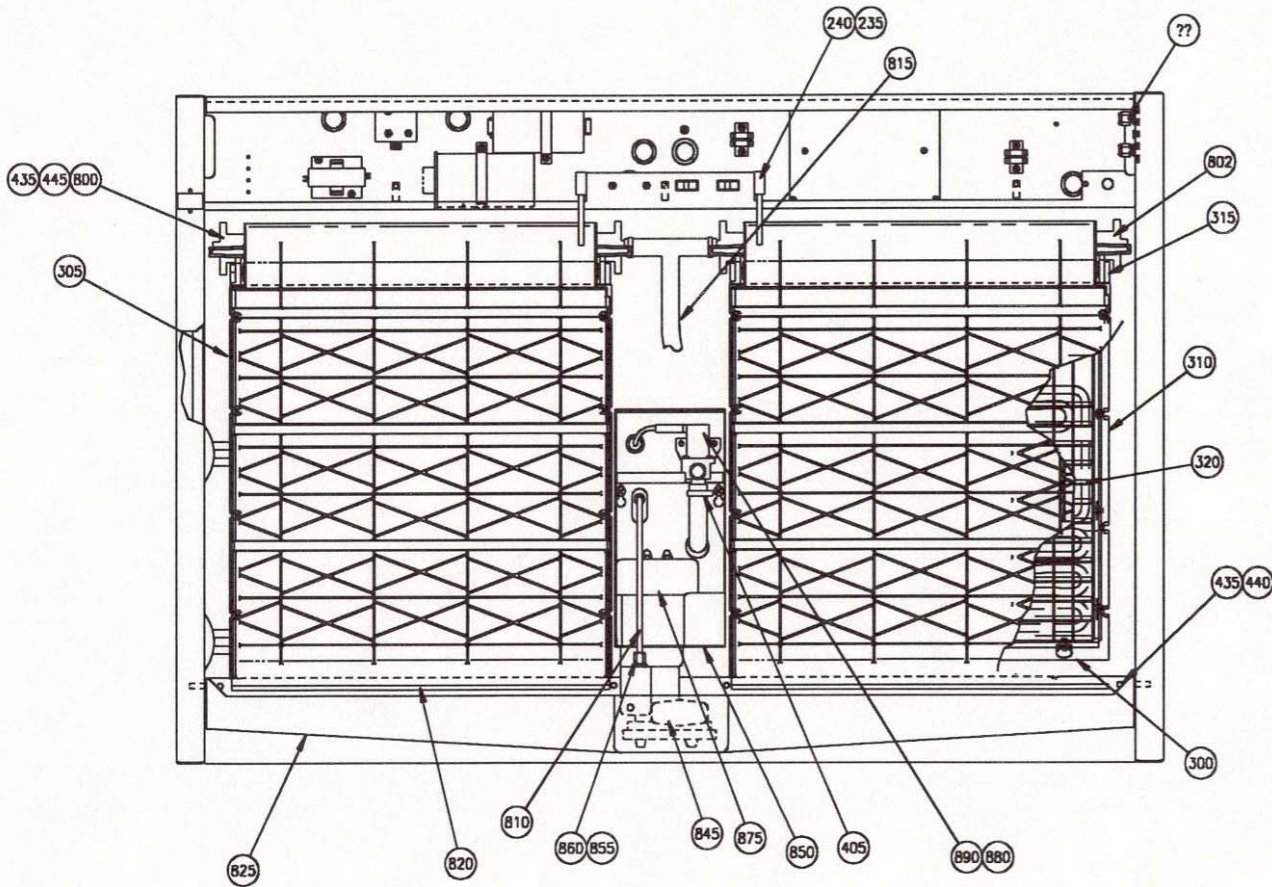
MODEL: C136/106 A/W/R "B" SERIES

RESTRICTED, CONFIDENTIAL DOCUMENT
 This drawing and all information upon
 hereon are the exclusive property of the
 High Command Company, and are not
 to be released in any form without the
 express approval of the High Command
 Company. This drawing is to be used only
 for the purpose of manufacturing the
 product shown hereon, and is not to be
 used for any other purpose without the
 express approval of the High Command
 Company.

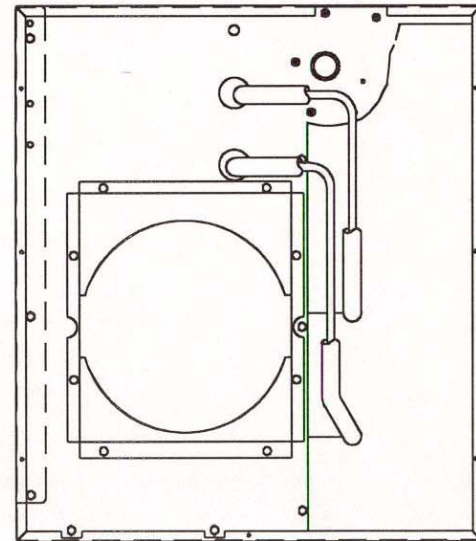
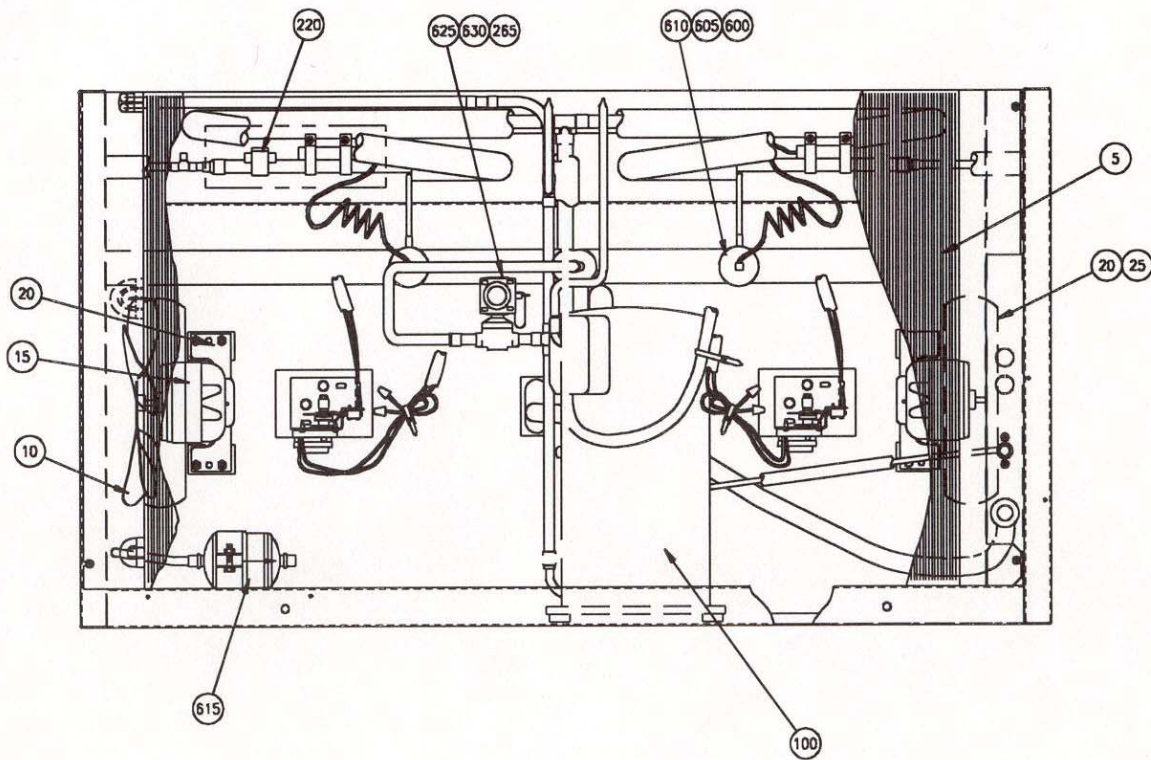
ICE-O-MATIC
 A FRANKLIN-OMEGA COMPANY

PANEL ASSEMBLY

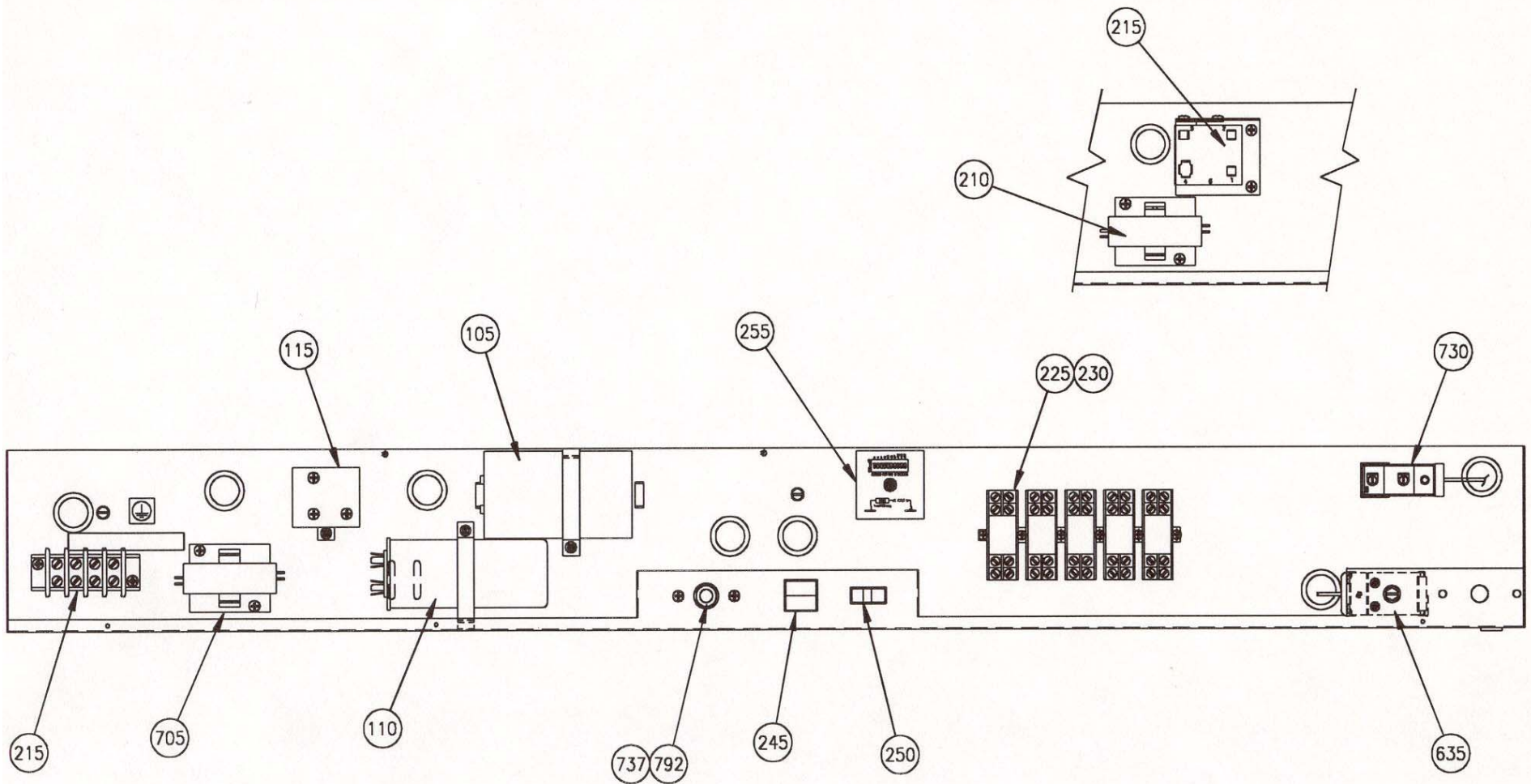
SCALE: 1" = 10" (25.4)



MODEL: C136-C186 A/W/R *B* SERIES
 RESTRICTED, CONFIDENTIAL DOCUMENT
 *This drawing and all information shown hereon are the exclusive property of Itek High Equipment Company, and are supplied only on a confidential basis. The recipient agrees not to reproduce the drawing.
ICE-O-MATIC
 A PERKINS COMPANY
 CHASSIS ASSEMBLY



MODEL: C136-C186 A/W/R "B" SERIES
 RESTRICTED, CONFIDENTIAL DOCUMENT
 "This drawing and all information shown hereon are the exclusive property of the High Coldroom Company, and are submitted only on a confidential basis. The recipient agrees not to reproduce the drawing, to return it upon request, and that no disclosure of the drawing or the information shown hereon will be made to a third party without prior written consent from the High Coldroom Company."
ICE-O-MATIC
 A WALKER COMPANY
 CHASSIS ASSEMBLY
 SCALE SHEET 1961

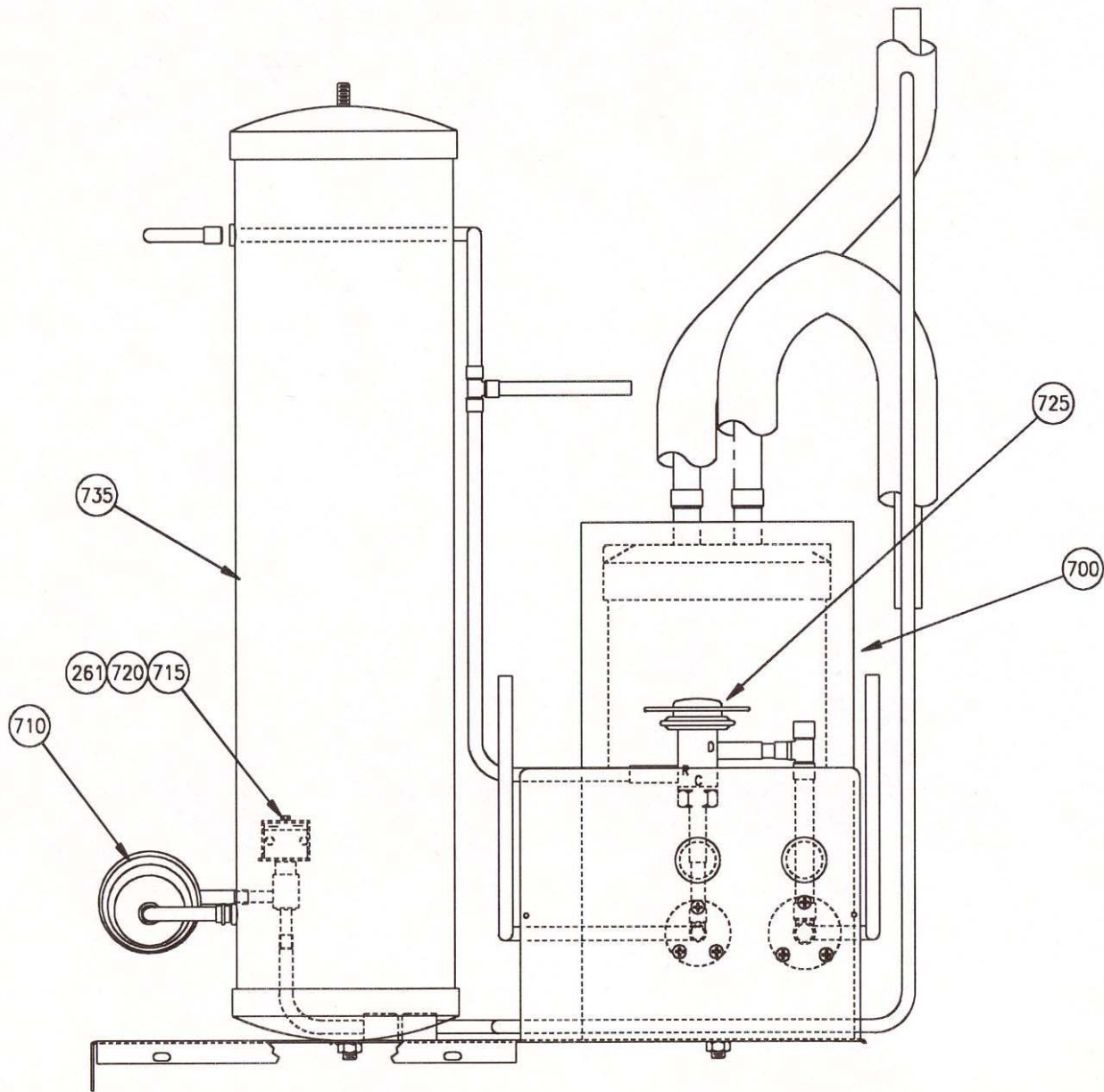


MODEL: CB1/121 A/W/R "G" SERIES
 RESTRICTED, CONFIDENTIAL DOCUMENT
 This drawing and all information shown hereon are the exclusive property of the High Equipment Company, and are submitted only on a confidential basis. The recipient agrees not to reproduce the drawing, to return it upon request, and that no disclosure of the drawing or the information shown hereon will be made to a third party without the written consent from the High Equipment Company.

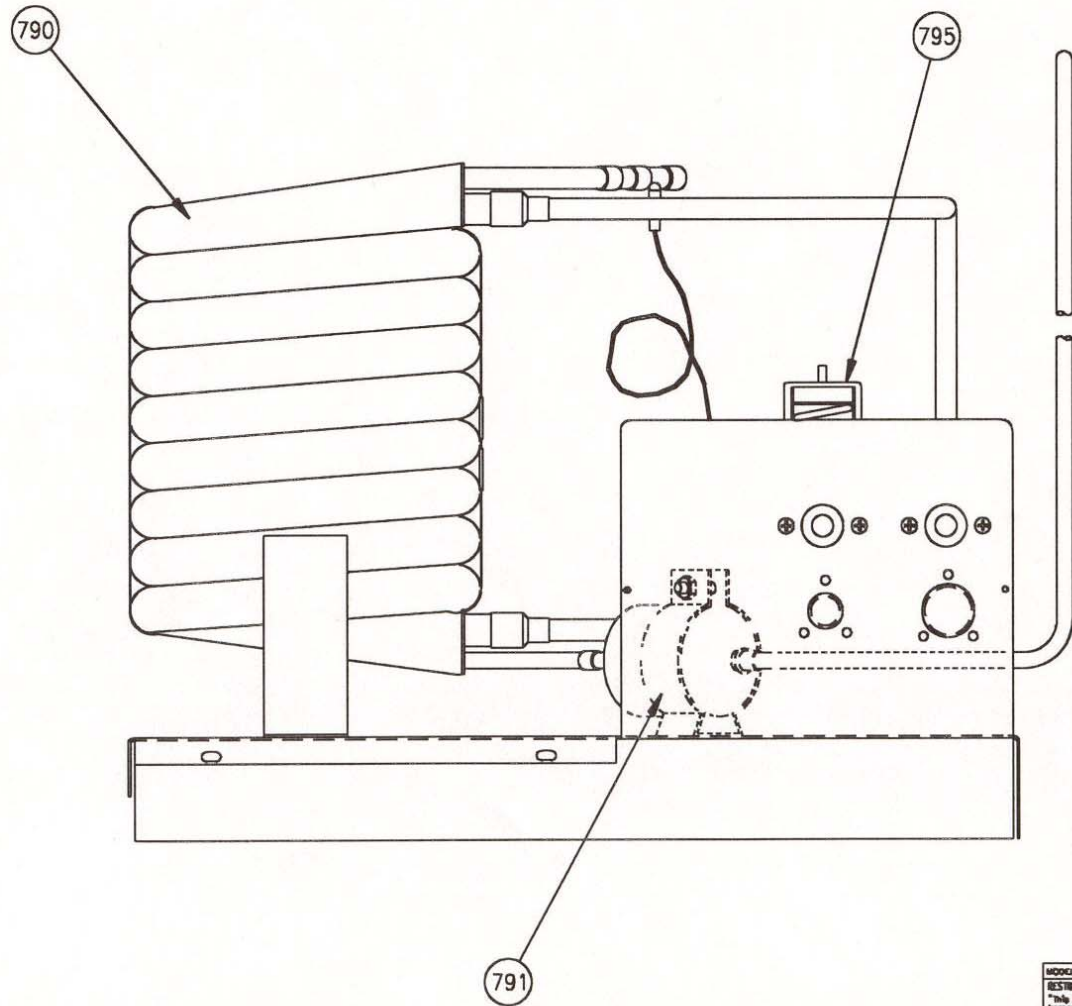
ICE-O-MATIC
 A FINE-ARTS COMPANY

TITLE: CONTROL BOX ASSEMBLY

SCALE: 1=1
 SHEET: 1 OF 1
 DATE: 10/6/75
 1318CBO



MODEL: C136-C186 A/W/R "B" SERIES	
RESTRICTED, CONFIDENTIAL DOCUMENT	
<small>This drawing and all information shown herein are the exclusive property of the High Equipment Company, and are submitted only on a confidential basis. The recipient agrees not to reproduce the drawing, in whole or in part, without the written consent of the High Equipment Company, and that no disclosure of the drawing or the information shown herein will be made to a third party without prior written consent from the High Equipment Company.</small>	
ICE-O-MATIC <small>A WILCOX COMPANY</small>	
TITLE: REMOTE CONDENSER ASSEMBLY	
SCALE: 1/2" = 1'-0"	C1311R-3



MODEL: C136-C186 A/W/R 'B' SERIES

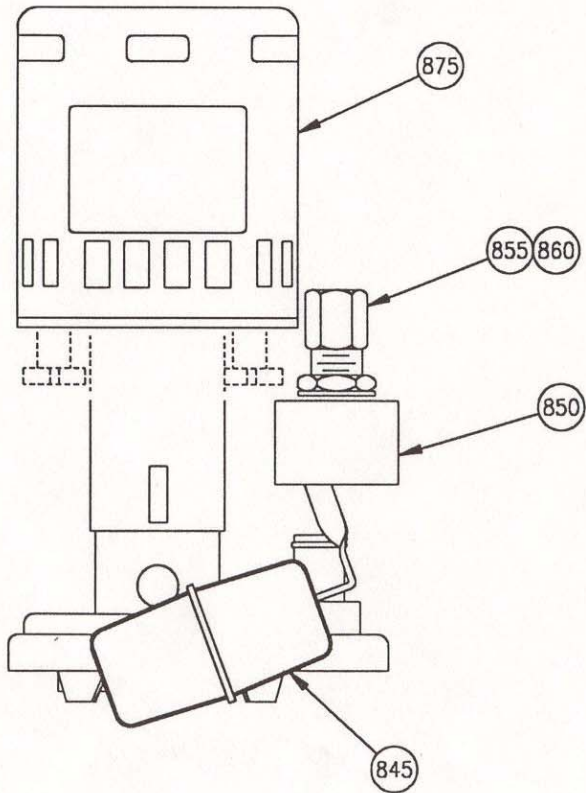
RESTRICTED, CONFIDENTIAL DOCUMENT

"This drawing and all information shown hereon are the exclusive property of the High Equipment Company, and are submitted only as a confidential loan. The recipient agrees not to reproduce the drawing, to return it upon request, and that no disclosure of the drawing or the information shown hereon will be made to a third party without prior written consent from the High Equipment Company."

ICE-O-MATIC
A BILLY GOAT COMPANY

REMOTE CONDENSER ASSEMBLY

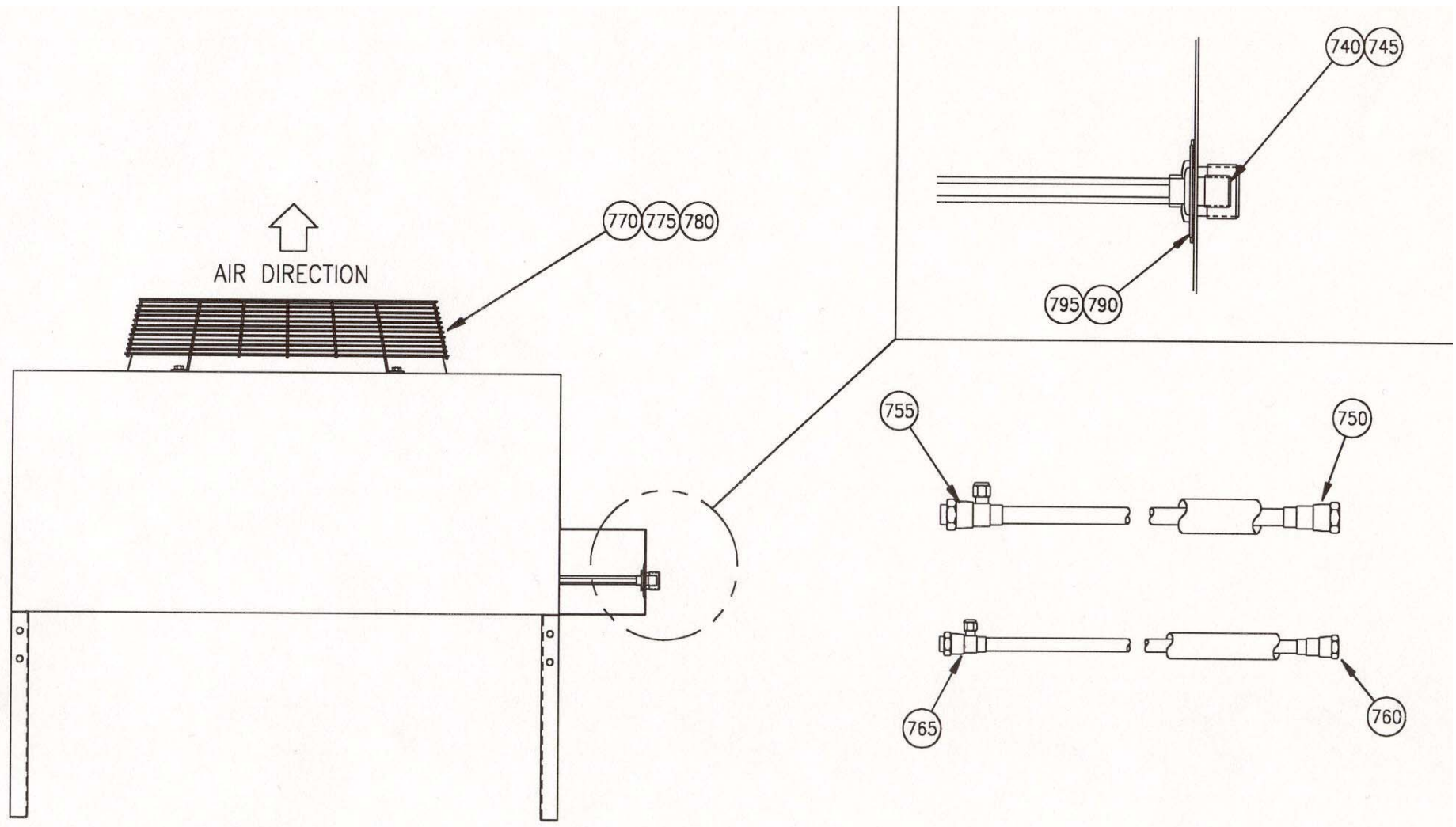
1 1/2" x 1 1/2" x 1 1/2" 013100



MODEL A/W/R "B" SERIES
 RESTRICTED, CONFIDENTIAL DOCUMENT
 This drawing and all information shown herein are the exclusive property of the High Equipment Company, and are supplied only on a non-transferable basis. The recipient agrees not to reproduce the drawing, in whole or in part, without the written consent of the drawer or the distributor.

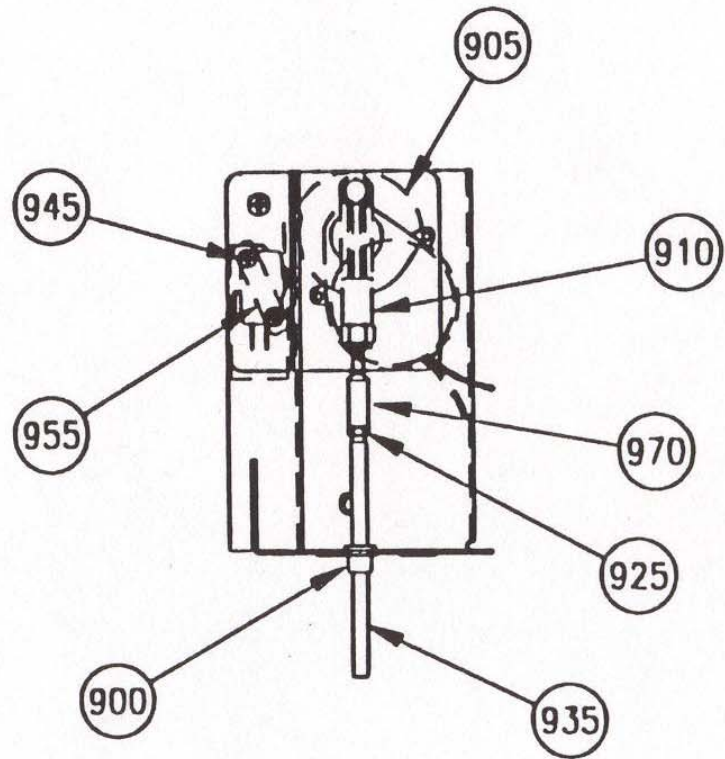
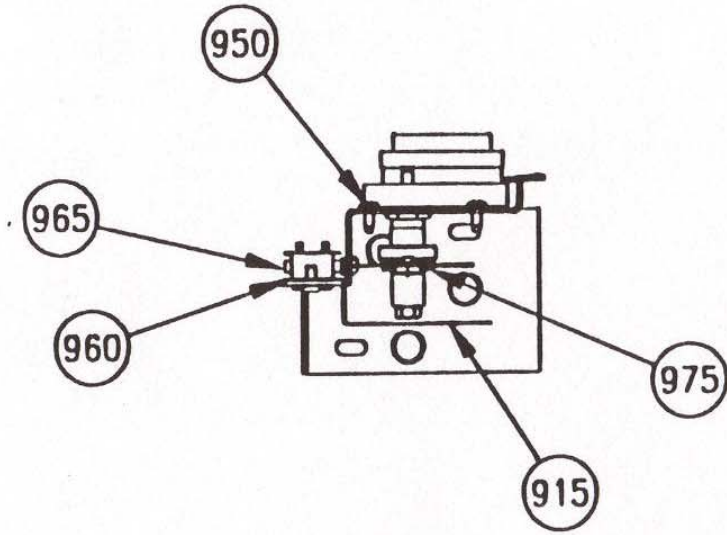
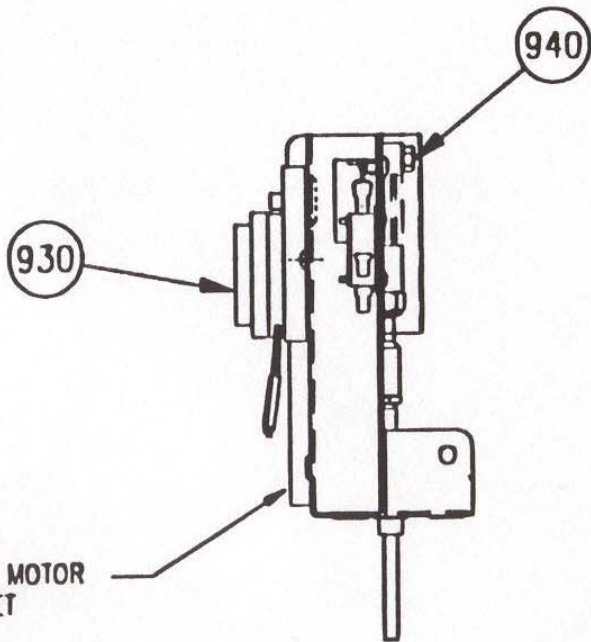
ICE-O-MATIC
 A W. W. W. COMPANY

THE WATER PUMP/FLOAT
 ASSEMBLY



MODEL: 19" SERIES AIR/WATER/REMOTE
 RESTRICTED, CONFIDENTIAL DOCUMENT
 This drawing and all illustrations shown herein are the exclusive property of the High Equipment Company, and are supplied only on a confidential basis. The recipient agrees not to reproduce this drawing for resale or use in any other manner.
ICE-O-MATIC
 A HANSON COMPANY
 TITLE: REMOTE CONDENSOR

PROBE MOTOR
BRACKET



HARVEST PROBE ASSEMBLY